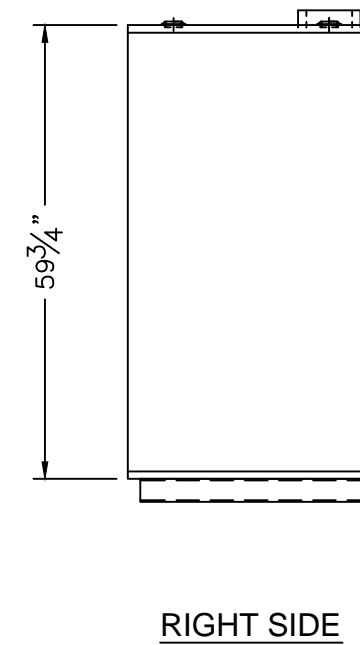
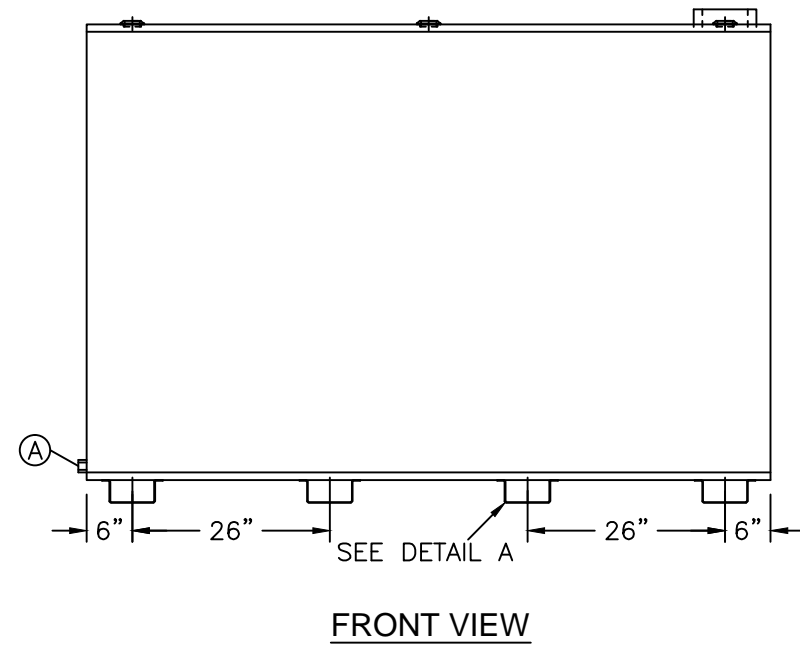
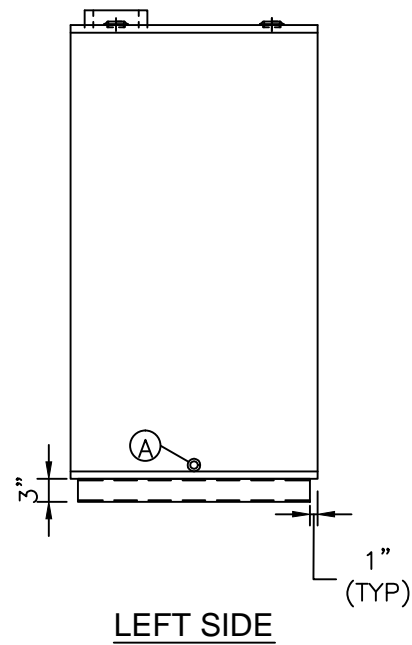


NOZZLE SCHEDULE							
ITEM	SIZE	RATING	TYPE	MATL	PROJ IN	PROJ OUT	REMARKS
A	3/4"	N.P.T.	W.F.	C.S.	STD.	STD.	DRAIN
B	2"	N.P.T.	W.F.	C.S.	STD.	STD.	
C	6"	N.P.T.	H.CPL	C.S.	STD.	STD.	EMERGENCY VENT OPENING



NOTES:

- A. Quantity:
- B. Material: H.R. Carbon Steel
- C. Tank: 10 GA w/ 10 GA Top.
- D. Design & Operating Pressure: Atmospheric.
- E. Design & Operating Temperature: Ambient.
- F. Tank to be Built & Labeled per U.L. Spec. #142.
- G. Tank to Bear Manufacturers & U.L. Labels Only.
- H. Tank to be Air Tested with Water & Soap Suds Solution.
- I. Interior: Remove Weld Slag (Ship Clean & Dry).
- J. Exterior: Gray primer included; see Sales Order for top coat.
- K. All Fittings to be Protected for Shipment.
- L. Customer has the Responsibility to Verify All Dimensions.

*All pages of this Schedule A are incorporated by reference and are a part of the additional terms of the Master Terms & Conditions of Sale.
www.newberrytanks.com/masterterms.pdf

APPROVAL FOR CONSTRUCTION
 SCHEDULE A - MASTER TERMS & CONDITIONS OF SALE*

- APPROVED AS DRAWN.
 - APPROVED WITH NOTED CHANGES, CONSTRUCTION WILL BE SCHEDULED WHEN SIGNED DRAWING AND CONFIRMED ORDER ARE RECEIVED.
- SIGNATURE _____
 DATE: _____

SALES ORDER # _____



Phone: 870-735-4473 Fax: 870-735-3982

VESSEL DESCRIPTION:
 750 GALLON RECTANGULAR UL 142 SINGLE WALL TANK

CUSTOMER:			P.O.#
DATE:	SCALE:	DWG.#	DRAWN BY: TC
		FTSBS-0750	CHKD. BY: TB

This drawing may contain CONFIDENTIAL information and is intended only for the use of the specific individual(s) to which it is addressed.