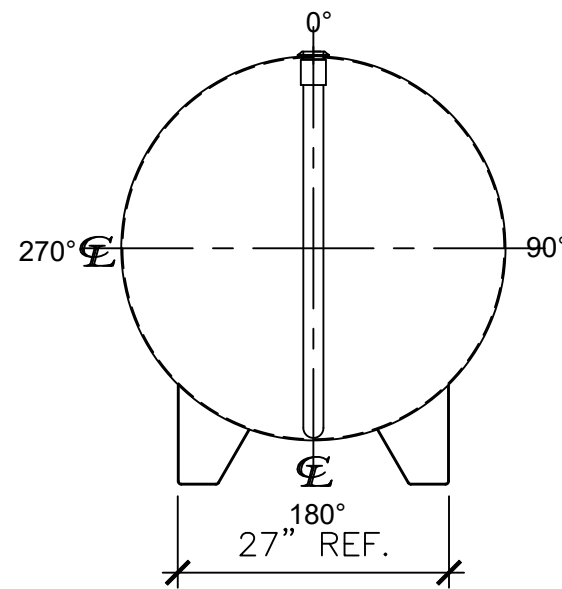
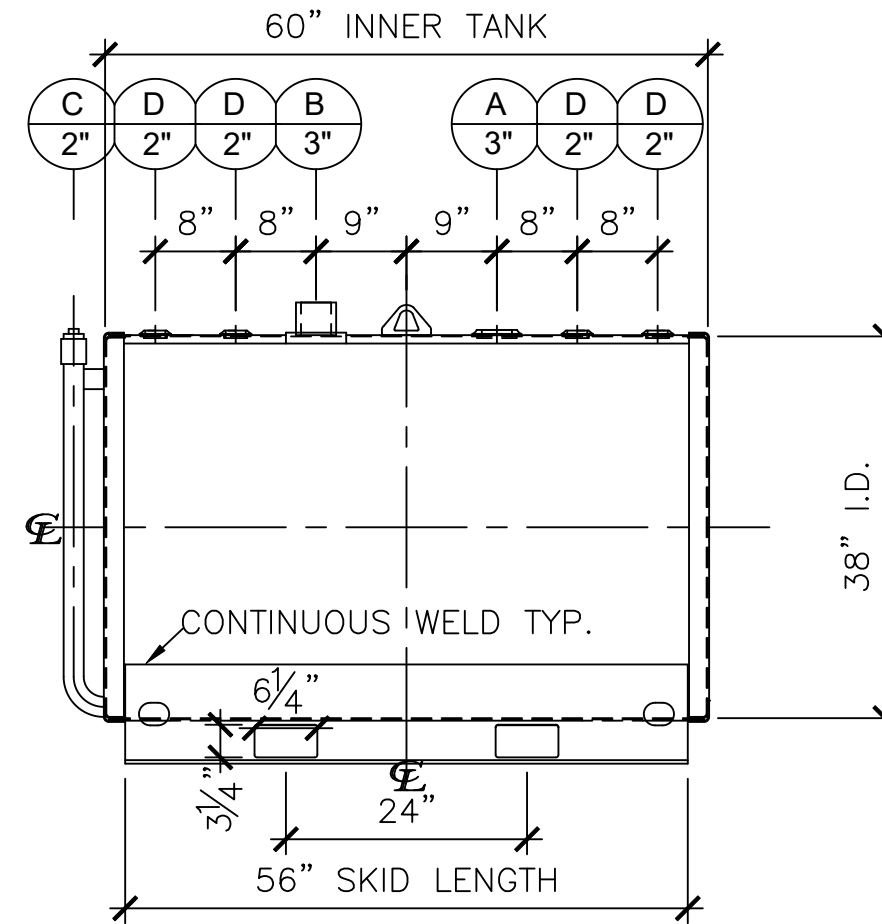


NOZZLE SCHEDULE

ITEM	SIZE	RATING	TYPE	MATL	REMARKS	NOTES
A	3"	N.P.T.	W.F.	C.S.	PRIMARY	EMERGENCY VENT OPENING
B	3"	N.P.T.	HALF CPL.	C.S.	SECONDARY	EMERGENCY VENT OPENING
C	2"	N.P.T.	CPL.	C.S.	-	INTERSTICE MONITOR
D	2"	N.P.T.	W.F.	C.S.	-	-



LEFT SIDE



FRONT VIEW

NOTES:

- A. Quantity:
- B. Material: H.R. Carbon Steel.
- C. Design Pressure: Atmospheric.
- D. Design Temperature: Ambient.
- E. Built & labeled per U.L. spec. #142.
- F. Exterior: Gray primer included; see Sales Order for top coat.
- G. All fittings to be protected for shipment.
- H. Customer to verify nozzle sizes, locations and quantities.
- I. Saddles/skids may require shimming or grouting during installation.

*All pages of this Schedule A are incorporated by reference and are a part of the additional terms of the Master Terms & Conditions of Sale.
www.newberrytanks.com/masterterms.pdf

APPROVAL FOR CONSTRUCTION

SCHEDULE A - MASTER TERMS & CONDITIONS OF SALE*

APPROVED AS DRAWN.

APPROVED WITH NOTED CHANGES, CONSTRUCTION WILL BE SCHEDULED WHEN SIGNED DRAWING AND CONFIRMED ORDER ARE RECEIVED.

SIGNATURE: _____

DATE: _____

SALES ORDER#

<p style="font-size: small;">Phone: 870-735-4473 Fax: 870-735-3982</p>			
VESSEL DESCRIPTION: 300 Gallon 38" I.D. x 5'-0" O.A.L. Double Wall Skid Tank			
CUSTOMER:		P.O.#	
DATE:		SCALE:	DWG.#
-			NB00300DWS03812G
DRAWN BY: TC		CHKD. BY:	

This drawing may contain CONFIDENTIAL information and is intended only for the use of the specific individual(s) to which it is addressed.