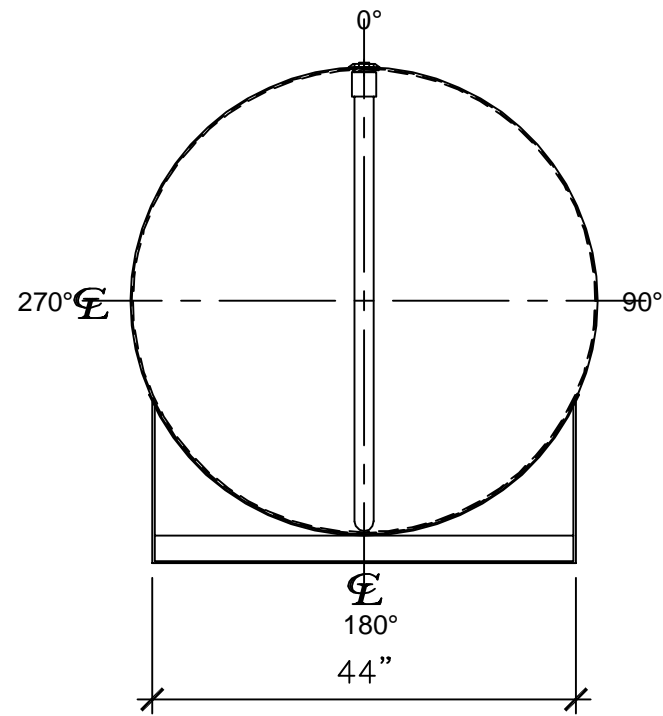
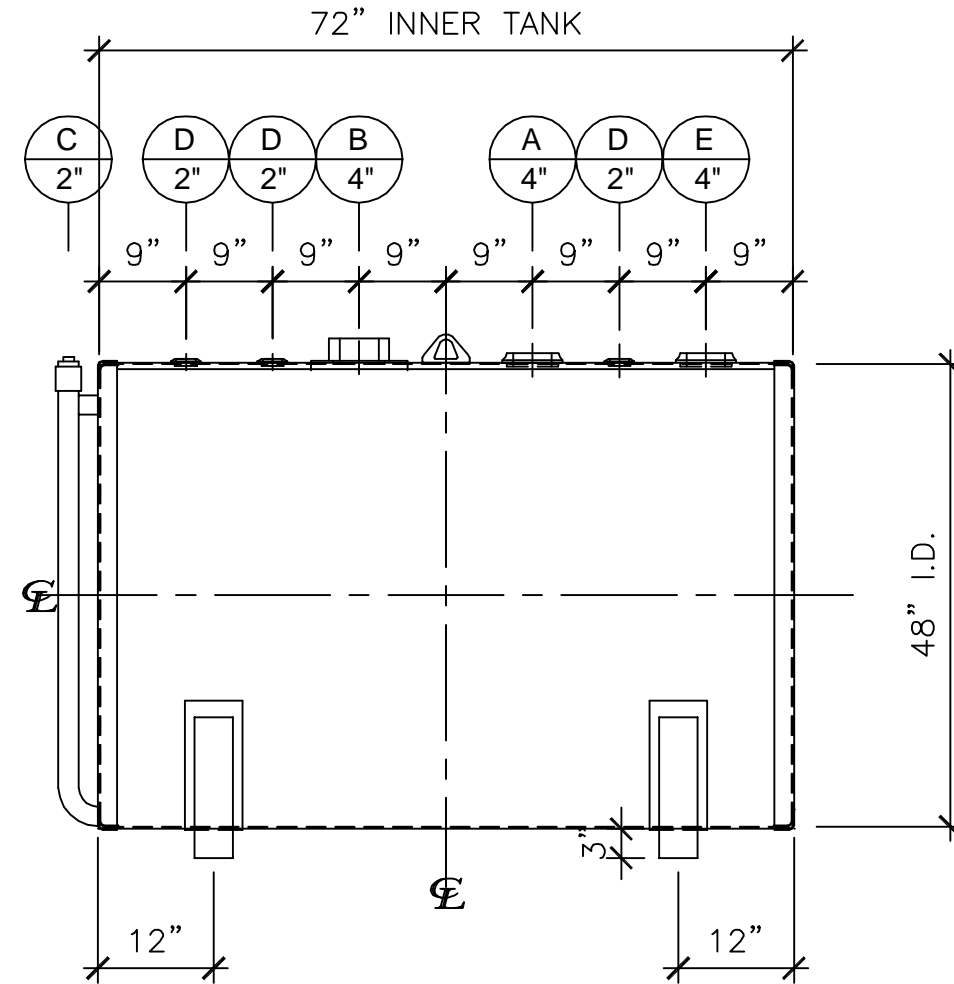


NOZZLE SCHEDULE

ITEM	SIZE	RATING	TYPE	MATL	REMARKS	NOTES
A	4"	N.P.T.	W.F.	C.S.	PRIMARY	EMERGENCY VENT OPENING
B	4"	HALF CPL.	W.F.	C.S.	SECONDARY	EMERGENCY VENT OPENING
C	2"	PIPE	W.F.	C.S.		MONITORING PORT
D	2"	N.P.T.	W.F.	C.S.		
E	4"	N.P.T.	W.F.	C.S.		



LEFT SIDE



FRONT VIEW

NOTES:

- A. Quantity:
- B. Material: H.R. Carbon Steel.
- C. Design Pressure: Atmospheric.
- D. Design Temperature: Ambient.
- E. Built & Labeled per U.L. Spec. #142, STI F-921.
- F. Exterior: One coat gray primer. See sales order for top coat.
- G. All Fittings to be protected for shipment.
- H. Customer to verify nozzle sizes, locations and quantities.
- I. Saddles/skids may require shimming or grouting during installation.

*All pages of this Schedule A are incorporated by reference and are a part of the additional terms of the Master Terms & Conditions of Sale.
www.newberrytanks.com/masterterms.pdf

APPROVAL FOR CONSTRUCTION
 SCHEDULE A - MASTER TERMS & CONDITIONS OF SALE*

- APPROVED AS DRAWN.
 - APPROVED WITH NOTED CHANGES, CONSTRUCTION WILL BE SCHEDULED WHEN SIGNED DRAWING AND CONFIRMED ORDER ARE RECEIVED.
- SIGNATURE _____
 DATE: _____

SALES ORDER#



Phone: 870-735-4473 Fax: 870-735-3982

VESSEL DESCRIPTION:

550 Gallon 48" I.D. x 6'-0" O.A.L. Double Wall F921 Tank

CUSTOMER:		P.O.#	
DATE:		SCALE:	DWG.#
-			NB00550DWB04812G
DRAWN BY: TC		CHKD. BY:	

This drawing may contain CONFIDENTIAL information and is intended only for the use of the specific individual(s) to which it is addressed.