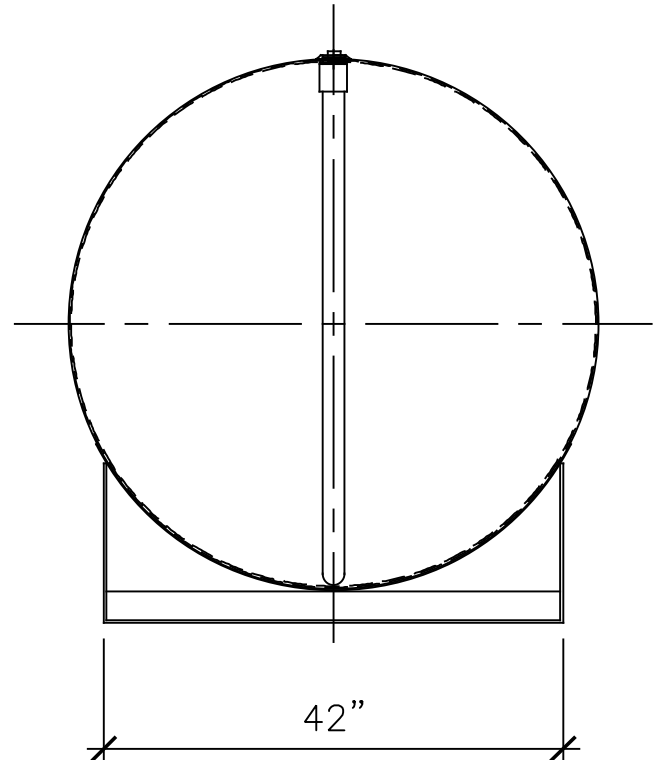
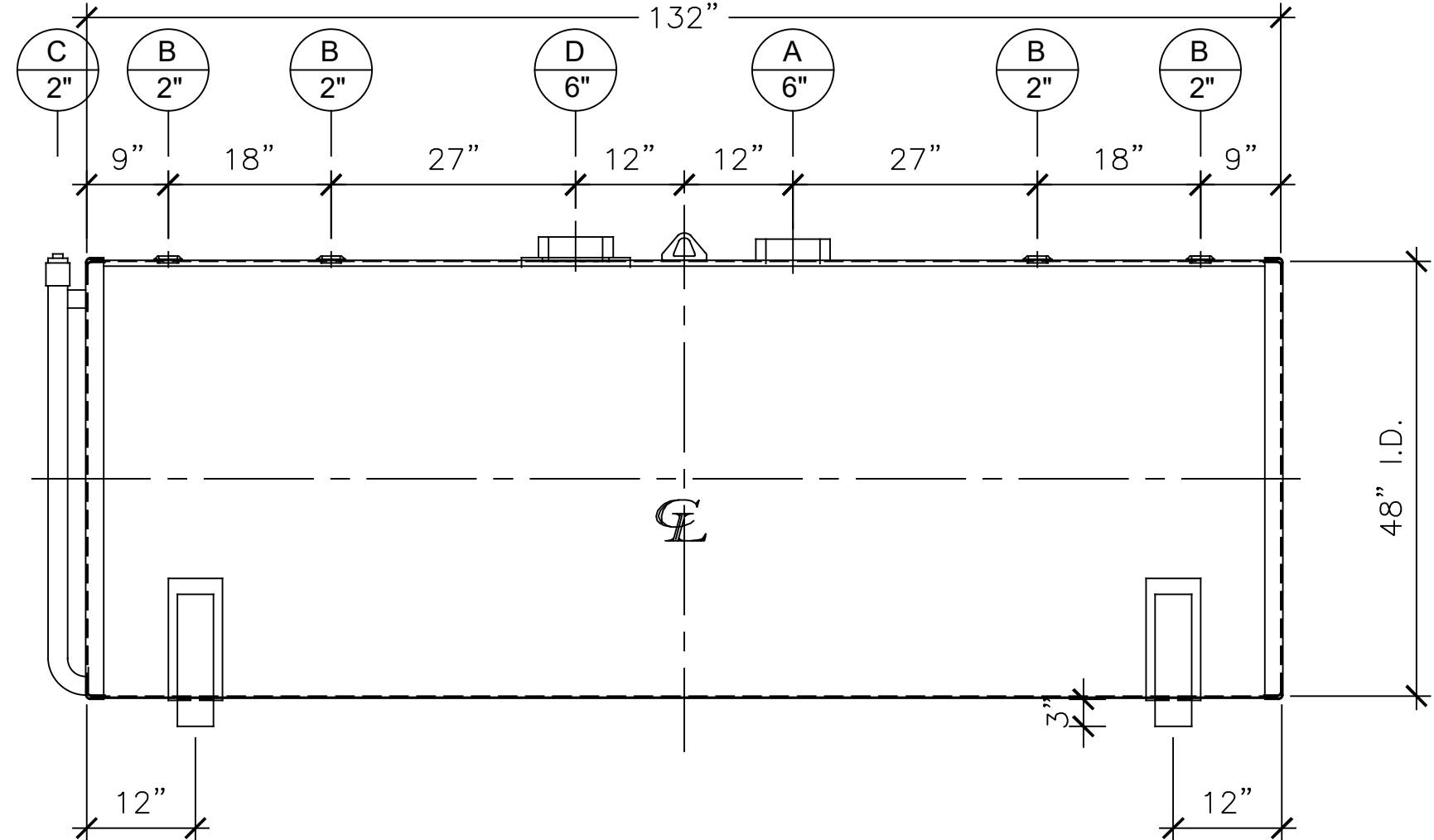


NOZZLE SCHEDULE						
ITEM	SIZE	RATING	TYPE	MATL	REMARKS	NOTES
A	6"	N.P.T.	H.CPL.	C.S.	PRIMARY	EMERGENCY VENT OPENING
B	2"	N.P.T.	W.F.	C.S.		
C	2"	N.P.T.	PIPE	C.S.		INTERSTICE MONITOR
D	6"	N.P.T.	H.CPL.	C.S.	SECONDARY	EMERGENCY VENT OPENING



LEFT SIDE



FRONT VIEW

**NOTES:**

- A. Quantity:
- B. Material: H.R. Carbon Steel.
- C. Design Pressure: Atmospheric.
- D. Design Temperature: Ambient.
- E. Built & Labeled per U.L. Spec. #142.
- F. Exterior: Gray primer included; see Sales Order for top coat.
- G. All Fittings to be protected for shipment.
- H. Customer to verify nozzle sizes, locations and quantities.
- I. Saddles/skids may require shimming or grouting during installation.

\*All pages of this Schedule A are incorporated by reference and are a part of the additional terms of the Master Terms & Conditions of Sale.  
[www.newberrytanks.com/masterterms.pdf](http://www.newberrytanks.com/masterterms.pdf)

APPROVAL FOR CONSTRUCTION  
 SCHEDULE A - MASTER TERMS &  
 CONDITIONS OF SALE\*


APPROVED AS DRAWN.

APPROVED WITH NOTED CHANGES,  
 CONSTRUCTION WILL BE SCHEDULED  
 WHEN SIGNED DRAWING AND  
 CONFIRMED ORDER ARE RECEIVED.

SIGNATURE \_\_\_\_\_

DATE: \_\_\_\_\_

SALES ORDER# \_\_\_\_\_

  
 Phone: 870-735-4473 Fax: 870-735-3982

VESSEL DESCRIPTION:  
 1000 Gallon 48" I.D. x 11'-0" O.A.L. Double Wall Bracket Tank

CUSTOMER: \_\_\_\_\_ P.O.# \_\_\_\_\_

DATE: \_\_\_\_\_ SCALE: \_\_\_\_\_ DWG.# NB01000DWB04810G DRAWN BY: AG

CHKD. BY: \_\_\_\_\_

This drawing may contain CONFIDENTIAL information and is intended only for the use of the specific individual(s) to which it is addressed.