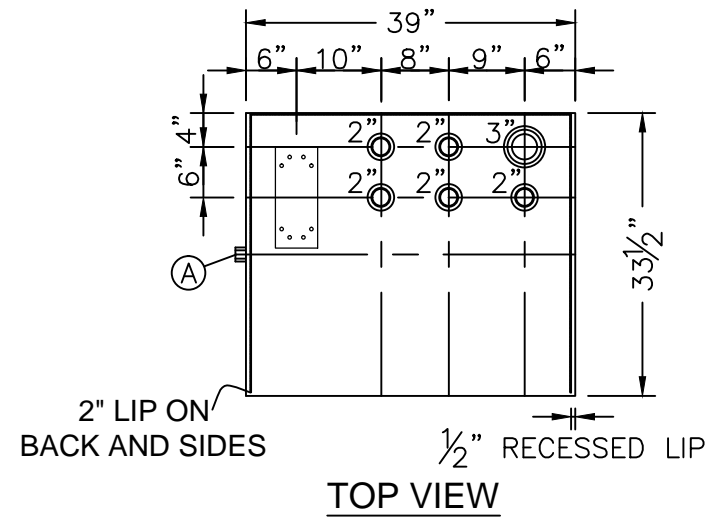
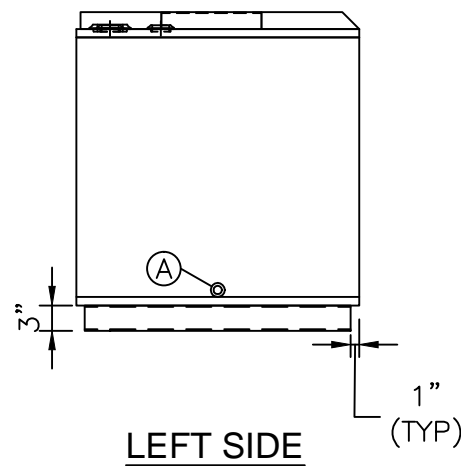


DETAIL A

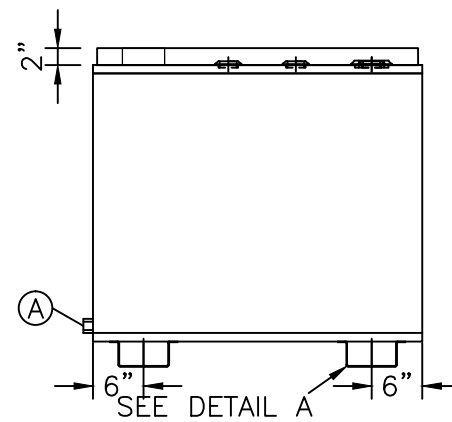


TOP VIEW

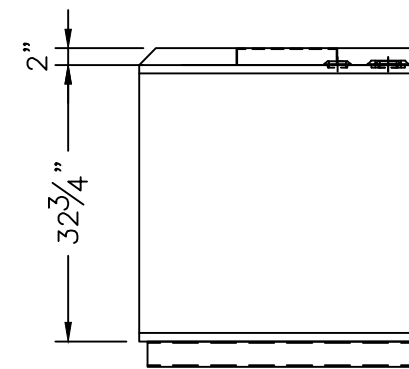
| NOZZLE SCHEDULE | | | | | | | |
|-----------------|------|--------|------|------|---------|----------|------------------------|
| ITEM | SIZE | RATING | TYPE | MATL | PROJ IN | PROJ OUT | REMARKS |
| A | 3/4" | N.P.T. | W.F. | C.S. | STD. | STD. | DRAIN |
| B | 2" | N.P.T. | W.F. | C.S. | STD. | STD. | |
| C | 3" | N.P.T. | W.F. | C.S. | STD. | STD. | EMERGENCY VENT OPENING |



LEFT SIDE



FRONT VIEW



RIGHT SIDE

NOTES:

- A. Quantity:
- B. Material: H.R. Carbon Steel
- C. Tank: 12 GA w/ 10 GA Top
- D. Design & Operating Pressure: Atmospheric.
- E. Design & Operating Temperature: Ambient.
- F. Tank to be Built & Labeled per U.L. Spec. #142.
- G. Tank to Bear Manufacturers & U.L. Labels Only.
- H. Tank to be Air Tested with Water & Soap Suds Solution.
- I. Interior: Remove Weld Slag (Ship Clean & Dry).
- J. Exterior: Gray primer included; see Sales Order for top coat.
- K. All Fittings to be Protected for Shipment.
- L. Customer has the Responsibility to Verify All Dimensions.

*All pages of this Schedule A are incorporated by reference and are a part of the additional terms of the Master Terms & Conditions of Sale.
www.newberrytanks.com/masterterms.pdf

APPROVAL FOR CONSTRUCTION
 SCHEDULE A - MASTER TERMS & CONDITIONS OF SALE*

- APPROVED AS DRAWN.
 - APPROVED WITH NOTED CHANGES, CONSTRUCTION WILL BE SCHEDULED WHEN SIGNED DRAWING AND CONFIRMED ORDER ARE RECEIVED.
- SIGNATURE _____
 DATE: _____

SALES ORDER #



Phone: 870-735-4473 Fax: 870-735-3982

VESSEL DESCRIPTION:
 180 GALLON RECTANGULAR UL 142 SINGLE WALL BENCH TOP TANK

| | | | |
|-----------|--------|-------------|--------------|
| CUSTOMER: | | | P.O.# |
| DATE: | SCALE: | DWG.# | DRAWN BY: TC |
| | | FTSBSB-0180 | CHKD. BY: TB |

This drawing may contain CONFIDENTIAL information and is intended only for the use of the specific individual(s) to which it is addressed.