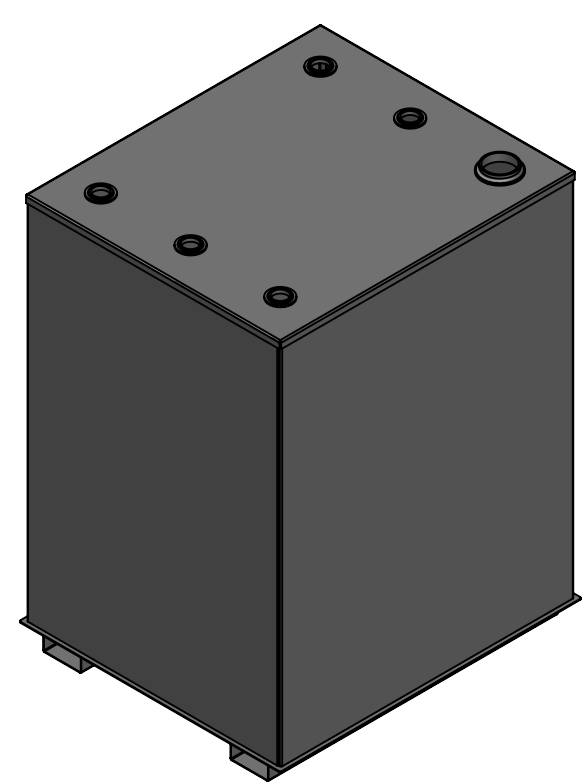
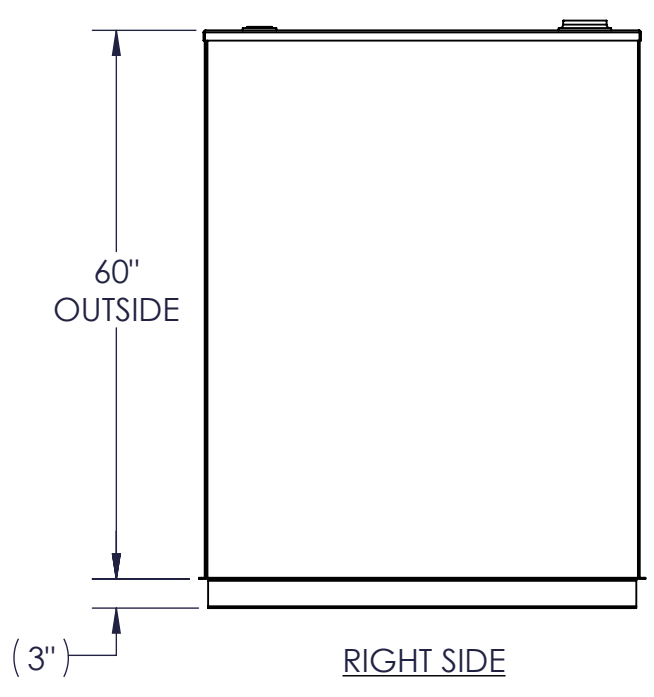
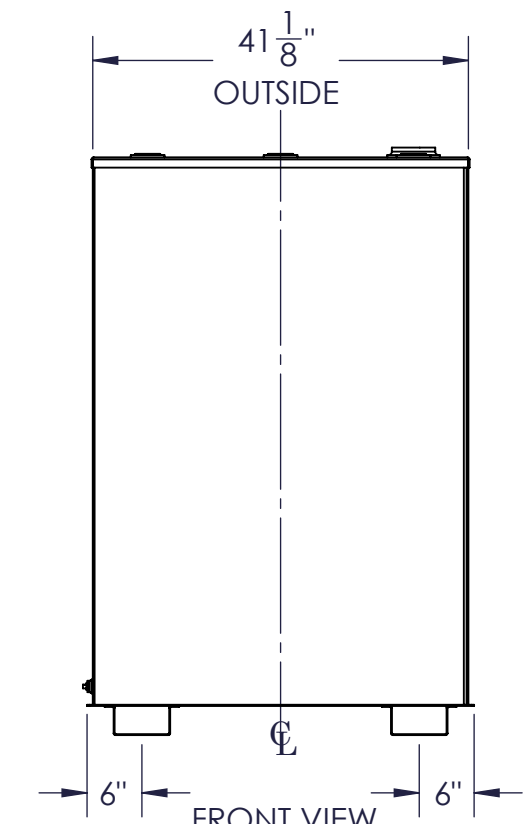
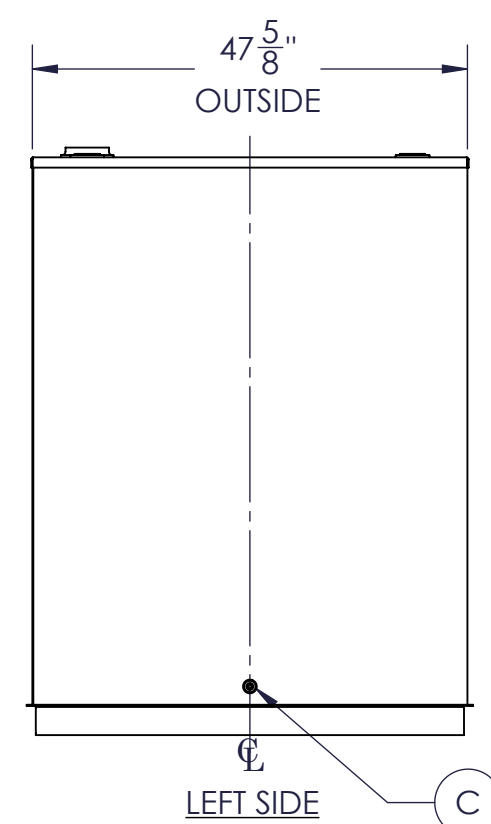


NOZZLE SCHEDULE							
ITEM	SIZE	RATING	TYPE	MATL	PROJ IN	PROJ OUT	REMARKS
A	2"	N.P.T.	W.F.	C.S.	STD.	STD.	
B	4"	N.P.T.	W.F.	C.S.	STD.	STD.	EMERGENCY VENT OPENING
C	3/4"	N.P.T.	W.F.	C.S.	STD.	STD.	DRAIN



- NOTES:
- A. QUANTITY:
 - B. MATERIAL: H.R. CARBON STEEL
 - C. TANK: 12 GA. W/ 10 GA. TOP
 - D. DESIGN & OPERATING PRESSURE: ATOMOSPHERIC.
 - E. DESIGN & OPERATING TEMPERATURE: AMBIENT.
 - F. TANK TO BE BUILT & LABELED PER U.I. SPEC. #142.
 - G. TANK TO BEAR MANUFACTURERS & U.I. LABELS ONLY.
 - H. TANK TO BE AIR TESTED WITH WATER & SOAP SUDS SOLUTION.
 - I. INTERIOR: REMOVE WELD SLAG (SHIP CLEAN & DRY).
 - J. EXTERIOR: GRAY PRIMER INCLUDED; SEE SALES ORDER FOR TOP COAT.
 - K. ALL FITINGS TO BE PROTECTED FOR SHIPMENT.
 - L. CUSTOMER HAS THE RESPONSIBILITY TO VERIFY ALL DIMENSIONS.

APPROVAL FOR CONSTRUCTION
SCHEDULE A - MASTER TERMS &
CONDITION OF SALE*

APPROVED AS DRAWN.

APPROVED WITH NOTED CHANGES,
CONSTRUCTION WILL BE SCHEDULED
WHEN SIGNED DRAWING AND
CONFIRMED ORDER ARE RECEIVED.

SIGNATURE: _____

DATE: _____

*All pages of this Schedule A are incorporated by
reference and are a part of the additional terms of
the Master Terms & Conditions of Sale.
www.newberrytanks.com/masterterms.pdf

SALES ORDER: -

Newberry Tanks
New Thinking

Phone: 870-735-4473 Fax: 870-735-3982

DESCRIPTION:
500 GALLON RECTANGULAR UL 142 SINGLE WALL TANK

CUSTOMER: _____ P.O.# _____

DATE: 9/8/2020 SCALE: _____ DWG.# FTBSBW-0500

WEIGHT (LBS): 547

All units inches unless stated otherwise

DRAWN BY: AJC

SHEET 1 OF 1