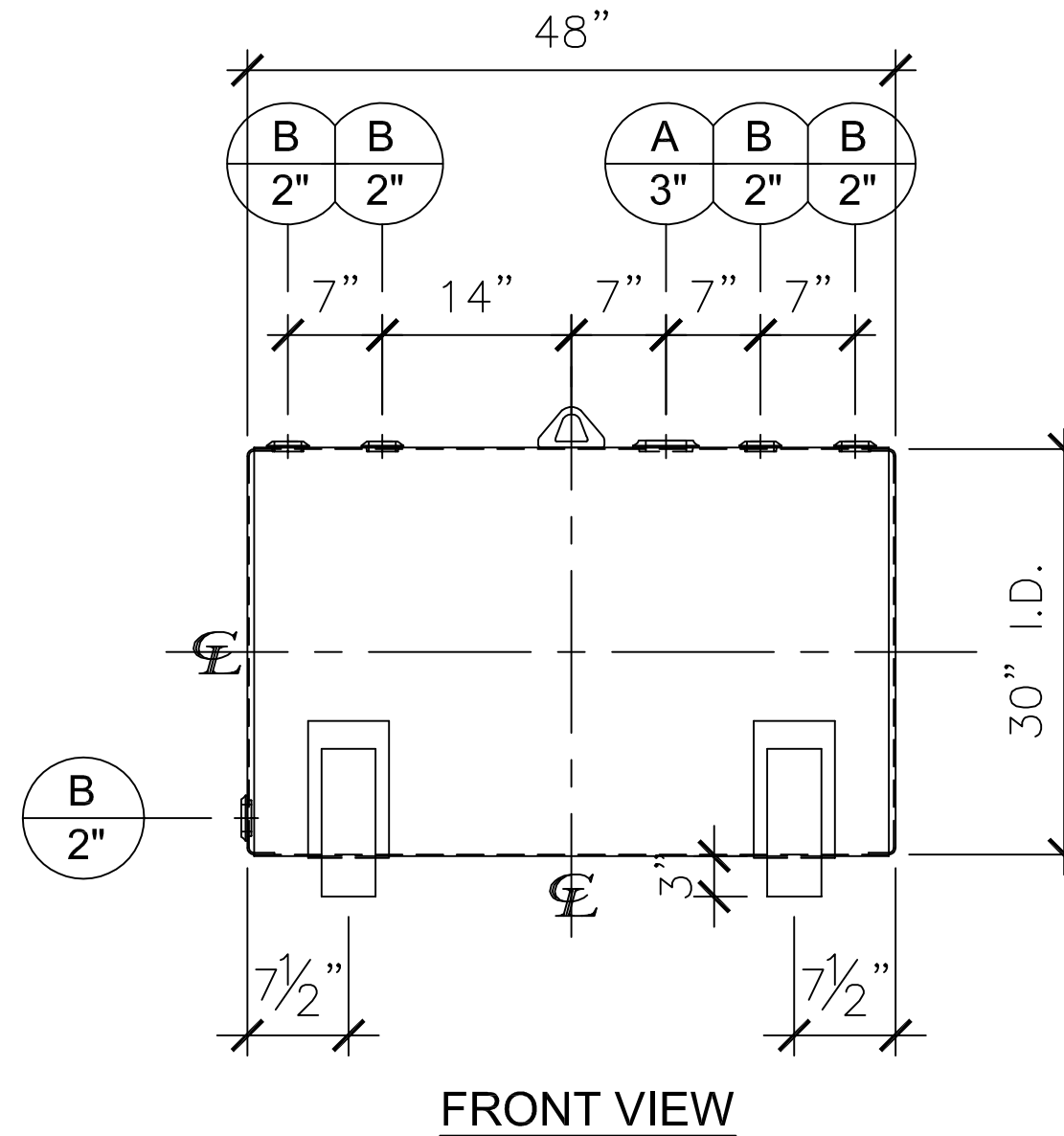
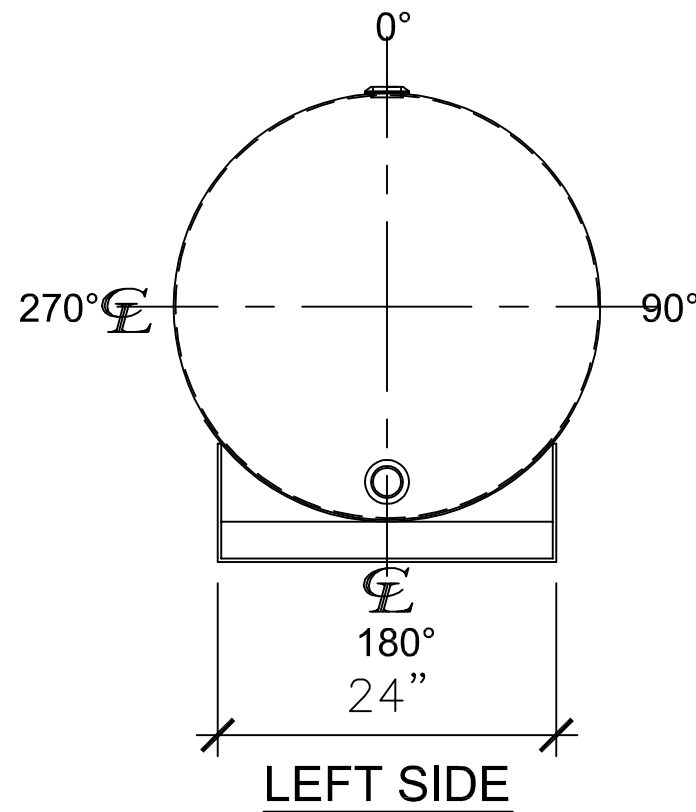


NOZZLE SCHEDULE

ITEM	SIZE	RATING	TYPE	MATL	REMARKS	NOTES
A	3"	N.P.T.	W.F.	C.S.		EMERGENCY VENT OPENING
B	2"	N.P.T.	W.F.	C.S.		



NOTES:

- A. Quantity:
- B. Material: H.R. Carbon Steel.
- C. Design Pressure: Atmospheric.
- D. Design Temperature: Ambient.
- E. Built & Labeled per U.L. Spec. #142.
- F. Exterior: Gray primer included; see Sales Order for top coat.
- G. All Fittings to be protected for shipment.
- H. Customer to verify nozzle sizes, locations and quantities.
- I. Saddles/skids may require shimming or grouting during installation.

*All pages of this Schedule A are incorporated by reference and are a part of the additional terms of the Master Terms & Conditions of Sale.
www.newberrytanks.com/masterterms.pdf

APPROVAL FOR CONSTRUCTION
 SCHEDULE A - MASTER TERMS & CONDITIONS OF SALE*

- APPROVED AS DRAWN.
 - APPROVED WITH NOTED CHANGES, CONSTRUCTION WILL BE SCHEDULED WHEN SIGNED DRAWING AND CONFIRMED ORDER ARE RECEIVED.
- SIGNATURE _____
 DATE: _____

SALES ORDER#



Phone: 870-735-4473 Fax: 870-735-3982

VESSEL DESCRIPTION:

150 Gallon 30" I.D. x 4'-0" O.A.L. Single Wall Bracket Tank

CUSTOMER:		P.O.#	
DATE:		SCALE:	DWG.#
-			NB00150SWB03012G
DRAWN BY: TC		CHKD. BY:	

This drawing may contain CONFIDENTIAL information and is intended only for the use of the specific individual(s) to which it is addressed.