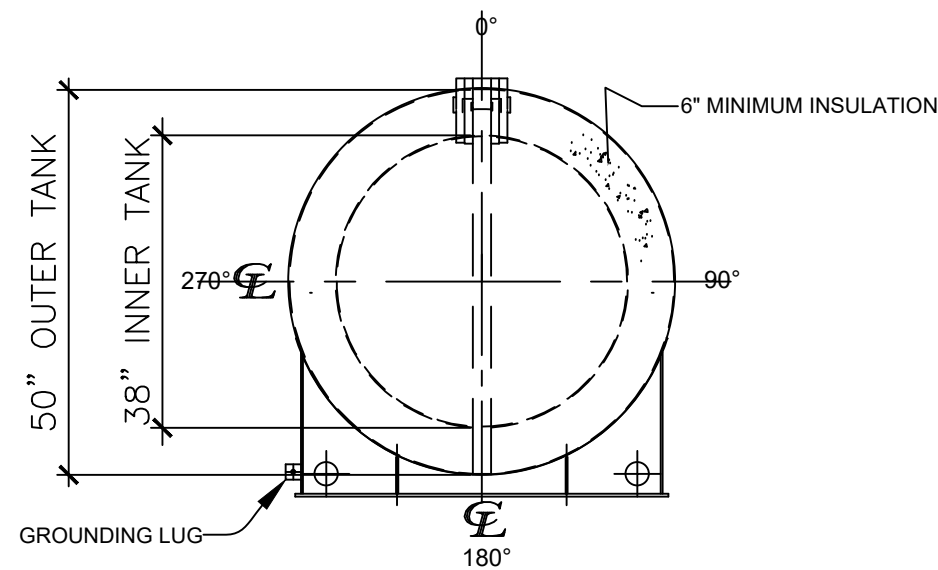
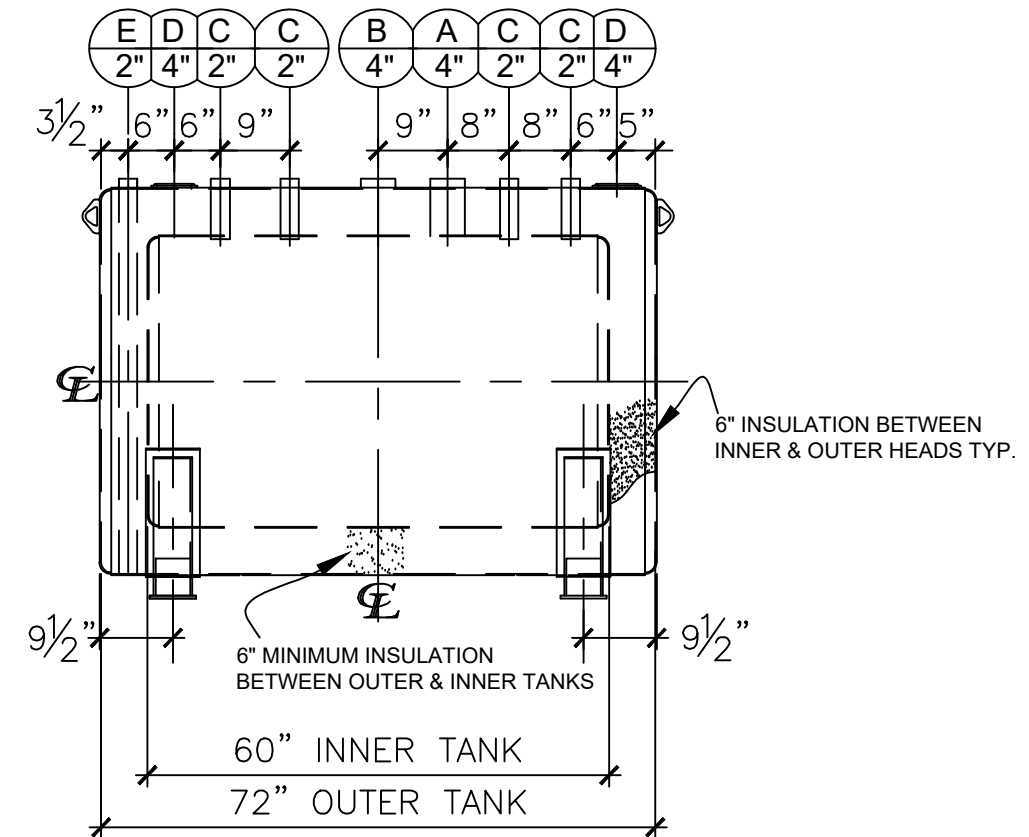


NOZZLE SCHEDULE

ITEM	SIZE	RATING	TYPE	MATL	PROJ. IN	PROJ. OUT	REMARKS	NOTES
A	4"	N.P.T.	W.F.	C.S.	STD.	STD.	PRIMARY	EMERGENCY VENT OPENING
B	4"	N.P.T.	CPL.	C.S.	STD.	STD.	SECONDARY	EMERGENCY VENT OPENING
C	2"	N.P.T.	CPL.	C.S.	STD.	STD.	-	-
D	4"	N.P.T.	CPL.	C.S.	STD.	STD.	-	INTERSTICE FILL
E	2"	N.P.T.	PIPE	C.S.	STD.	STD.	-	MONITORING PORT



LEFT SIDE



FRONT VIEW

NOTES:


- A. Quantity:
- B. Material: H.R. Carbon Steel.
- C. Design Pressure: Atmospheric.
- D. Design Temperature: Ambient.
- E. Built & labeled per U.L. #142, #2085 & STI Fireguard Specifications.
- F. Interstice to be filled w/ 3" min. thermal insulation per Fireguard specs.
- G. Exterior: Blast & apply one shop coat WHITE enamel.
- H. All fittings to be labeled and protected for shipment.
- I. Customer to verify nozzle sizes, locations and quantities.
- J. Saddles/skids may require shimming or grouting during installation.

*All pages of this Schedule A are incorporated by reference and are a part of the additional terms of the Master Terms & Conditions of Sale.
www.newberrytanks.com/masterterms.pdf

APPROVAL FOR CONSTRUCTION
 SCHEDULE A - MASTER TERMS &
 CONDITIONS OF SALE*

- APPROVED AS DRAWN.
 - APPROVED WITH NOTED CHANGES, CONSTRUCTION WILL BE SCHEDULED WHEN SIGNED DRAWING AND CONFIRMED ORDER ARE RECEIVED.
- SIGNATURE: _____
 DATE: _____

SALES ORDER#


 Phone: 870-735-4473 Fax: 870-735-3982

VESSEL DESCRIPTION:
 300 Gallon 38" I.D. x 5'-0" O.A.L. Fireguard Saddle Tank

CUSTOMER:		P.O.#	
DATE:		SCALE:	DWG.#
-			NB00300FGD03810G
DRAWN BY: TC		CHKD. BY:	

This drawing may contain CONFIDENTIAL information and is intended only for the use of the specific individual(s) to which it is addressed.