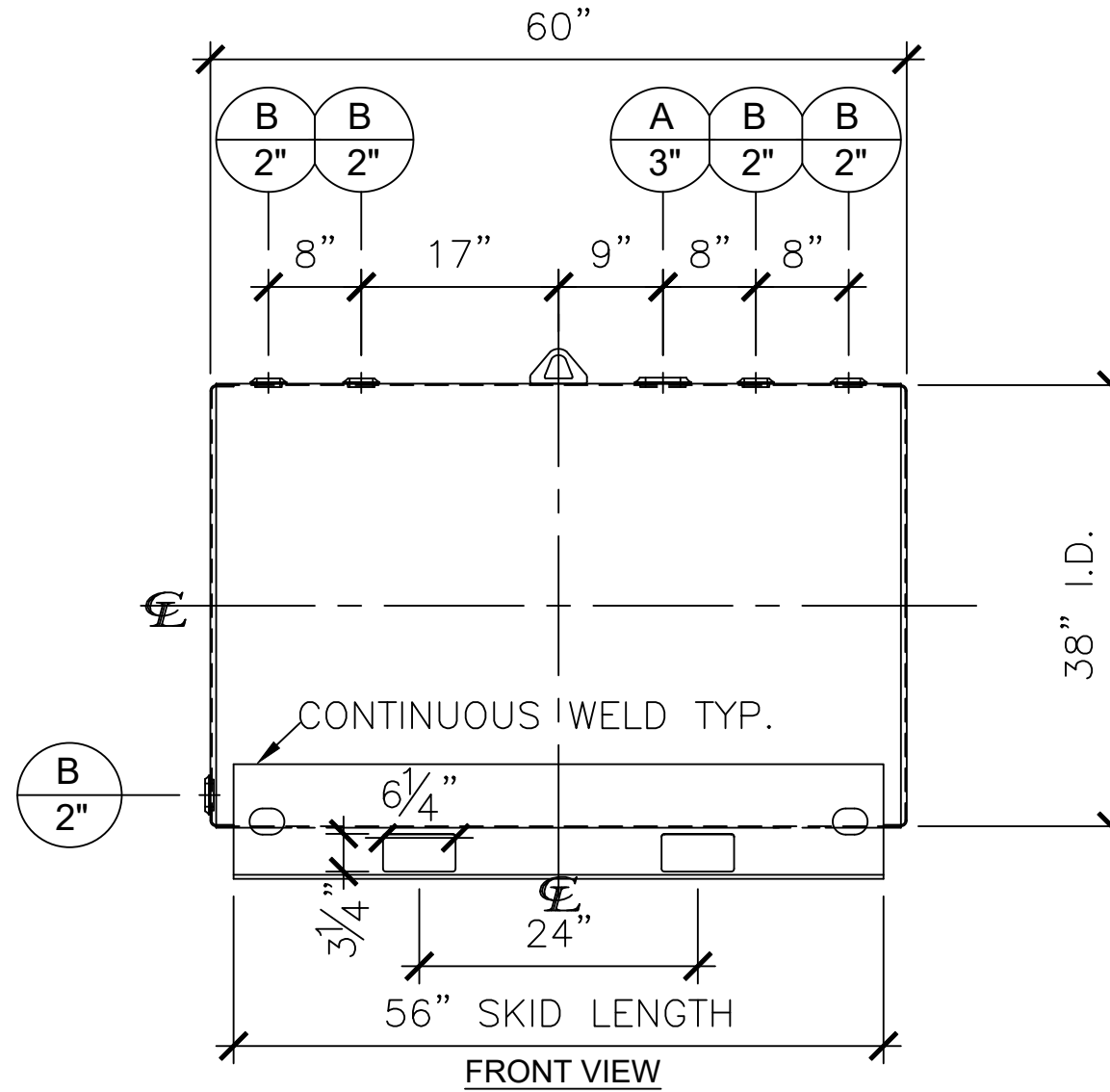
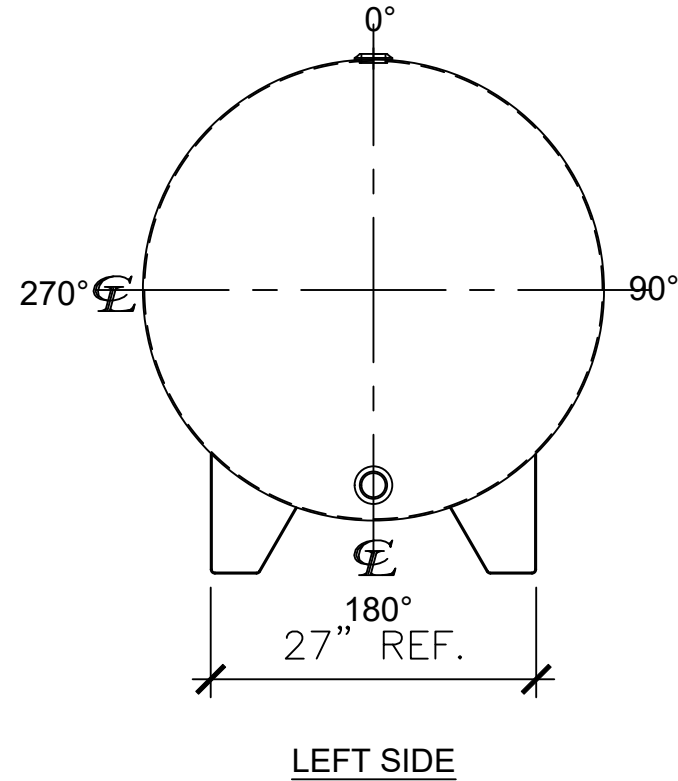



NOZZLE SCHEDULE								
ITEM	SIZE	RATING	TYPE	MATL	PROJ. IN	PROJ. OUT	REMARKS	NOTES
A	3"	N.P.T.	W.F.	C.S.	STD.	STD.	EMERGENCY VENT OPENING	-
B	2"	N.P.T.	W.F.	C.S.	STD.	STD.	-	-



**NOTES:**

- A. Quantity:
- B. Material: H.R. Carbon Steel.
- C. Design Pressure: Atmospheric.
- D. Design Temperature: Ambient.
- E. Built & labeled per U.L. spec. #142.
- F. Exterior: Gray primer included; see Sales Order for top coat.
- G. All fittings to be protected for shipment.
- H. Customer to verify nozzle sizes, locations and quantities.
- I. Saddles/skids may require shimming or grouting during installation.

\*All pages of this Schedule A are incorporated by reference and are a part of the additional terms of the Master Terms & Conditions of Sale.  
www.newberrytanks.com/masterterms.pdf

<b>APPROVAL FOR CONSTRUCTION</b> SCHEDULE A - MASTER TERMS & CONDITIONS OF SALE* <input type="checkbox"/> APPROVED AS DRAWN. <input type="checkbox"/> APPROVED WITH NOTED CHANGES, CONSTRUCTION WILL BE SCHEDULED WHEN SIGNED DRAWING AND CONFIRMED ORDER ARE RECEIVED. SIGNATURE: _____ DATE: _____		<b>SALES ORDER#</b>  Phone: 870-735-4473 Fax: 870-735-3982 VESSEL DESCRIPTION: 300 Gallon 38" I.D. x 5'-0" O.A.L. Single Wall Skid Tank CUSTOMER: _____ P.O.# _____ DATE: _____ SCALE: _____ DWG.# NB00300SWS038012G DRAWN BY: TC CHKD. BY: _____	
---	--	---	--

This drawing may contain CONFIDENTIAL information and is intended only for the use of the specific individual(s) to which it is addressed.