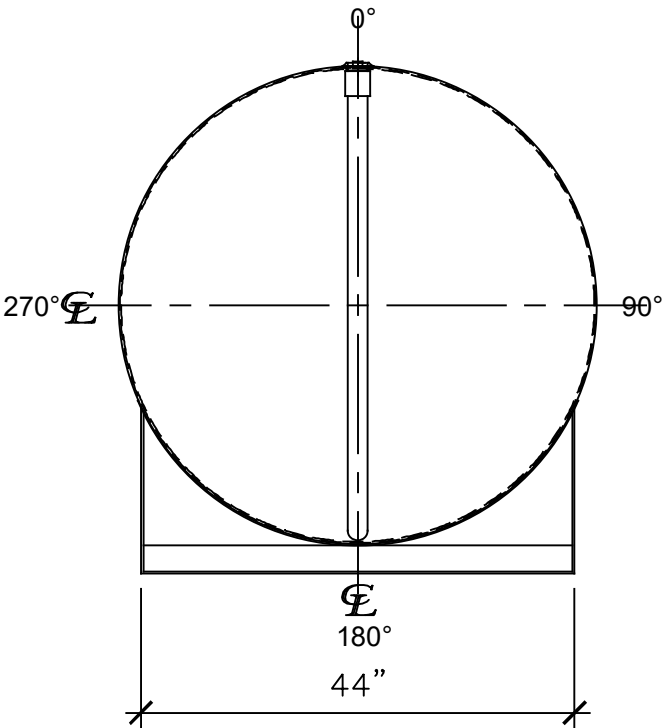
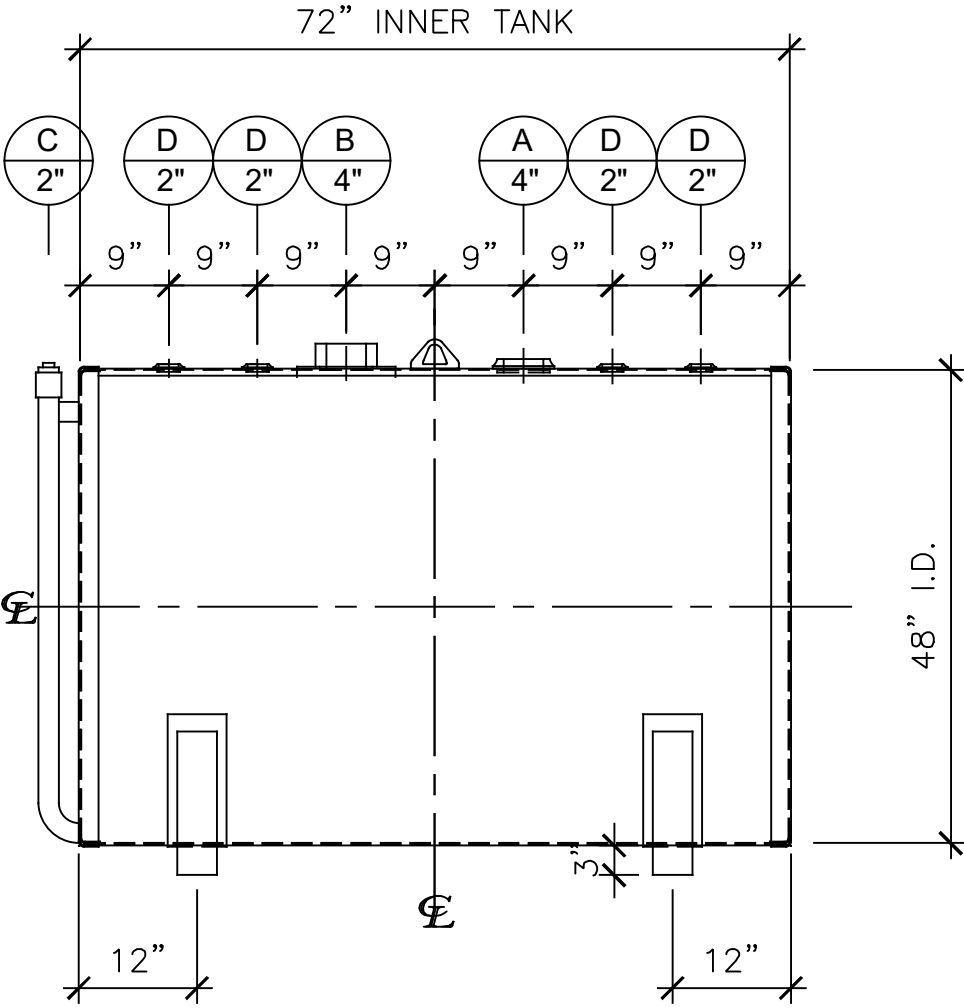


**NOZZLE SCHEDULE**

ITEM	SIZE	RATING	TYPE	MATL	REMARKS	NOTES
A	4"	N.P.T.	W.F.	C.S.	PRIMARY	EMERGENCY VENT OPENING
B	4"	HALF CPL.	W.F.	C.S.	SECONDARY	EMERGENCY VENT OPENING
C	2"	PIPE	W.F.	C.S.		MONITORING PORT
D	2"	N.P.T.	W.F.	C.S.		



**LEFT SIDE**



**FRONT VIEW**

**NOTES:**

- A. Quantity:
- B. Material: H.R. Carbon Steel.
- C. Design Pressure: Atmospheric.
- D. Design Temperature: Ambient.
- E. Built & Labeled per U.L. Spec. #142.
- F. Exterior: Gray primer included; see Sales Order for top coat.
- G. All Fittings to be protected for shipment.
- H. Customer to verify nozzle sizes, locations and quantities.
- I. Saddles/skids may require shimming or grouting during installation.

\*All pages of this Schedule A are incorporated by reference and are a part of the additional terms of the Master Terms & Conditions of Sale.  
[www.newberrytanks.com/masterterms.pdf](http://www.newberrytanks.com/masterterms.pdf)

**APPROVAL FOR CONSTRUCTION**  
 SCHEDULE A - MASTER TERMS & CONDITIONS OF SALE\*

APPROVED AS DRAWN.

APPROVED WITH NOTED CHANGES, CONSTRUCTION WILL BE SCHEDULED WHEN SIGNED DRAWING AND CONFIRMED ORDER ARE RECEIVED.

SIGNATURE \_\_\_\_\_

DATE: \_\_\_\_\_

**SALES ORDER#**



Phone: 870-735-4473 Fax: 870-735-3982

VESSEL DESCRIPTION:  
**550 Gallon 48" I.D. x 6'-0" O.A.L. Double Wall Bracket Tank**

CUSTOMER:		P.O.#	
-			
DATE:	SCALE:	DWG.#	DRAWN BY: AG
-		NB00550DWB04812G	CHKD. BY:

This drawing may contain **CONFIDENTIAL** information and is intended only for the use of the specific individual(s) to which it is addressed.