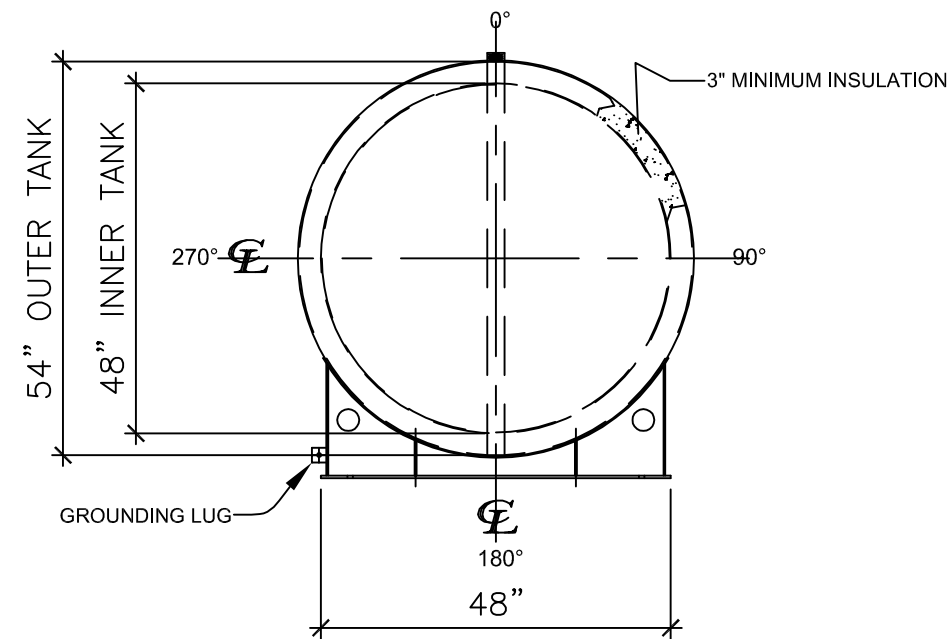
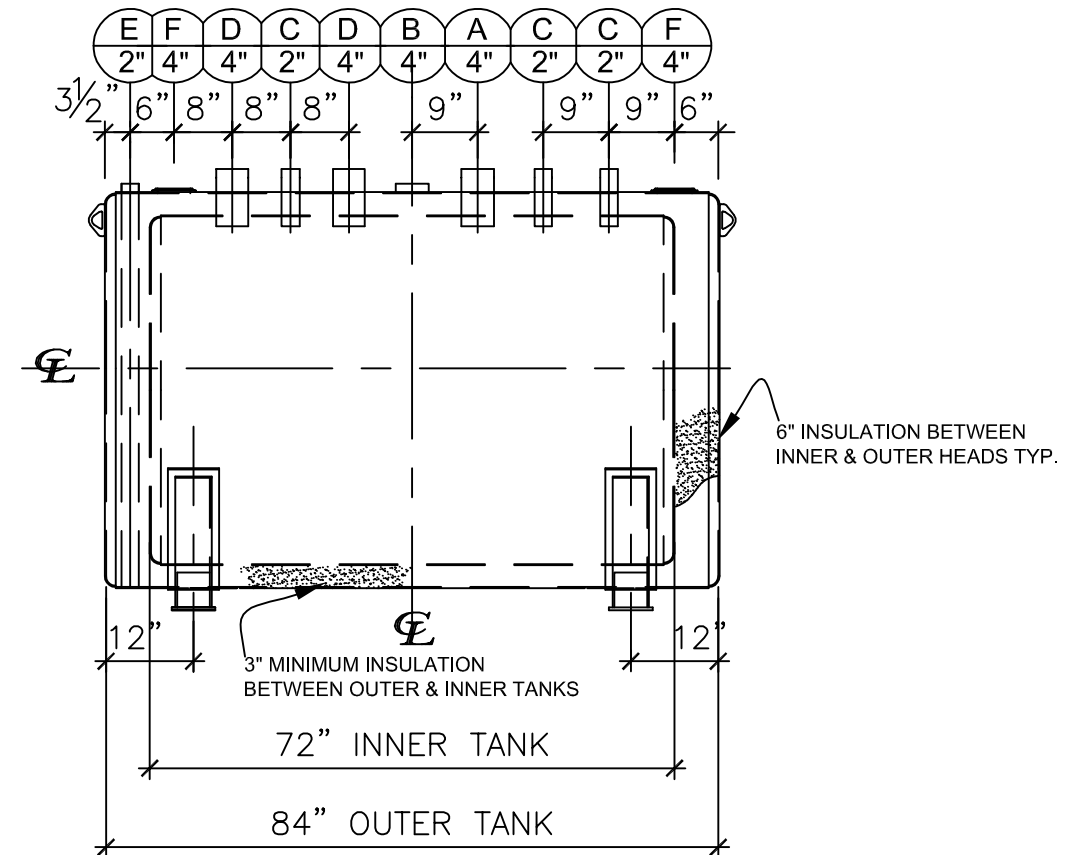


NOZZLE SCHEDULE

| ITEM | SIZE | RATING | TYPE | MATL | PROJ. IN | PROJ. OUT | REMARKS | NOTES |
|------|------|--------|------|------|----------|-----------|-----------|------------------------|
| A | 4" | N.P.T. | W.F. | C.S. | STD. | STD. | PRIMARY | EMERGENCY VENT OPENING |
| B | 4" | N.P.T. | CPL. | C.S. | STD. | STD. | SECONDARY | EMERGENCY VENT OPENING |
| C | 2" | N.P.T. | CPL. | C.S. | STD. | STD. | - | - |
| D | 4" | N.P.T. | CPL. | C.S. | STD. | STD. | - | - |
| E | 2" | N.P.T. | PIPE | C.S. | STD. | STD. | - | MONITORING PORT |
| F | 4" | N.P.T. | CPL. | C.S. | STD. | STD. | - | INTERSTICE FILL |



LEFT SIDE



FRONT VIEW

NOTES:

- A. Quantity:
- B. Material: H.R. Carbon Steel.
- C. Design Pressure: Atmospheric.
- D. Design Temperature: Ambient.
- E. Built & labeled per U.L. #142, #2085 & STI Fireguard Specifications.
- F. Interstice to be filled w/ 3" min. thermal insulation per Fireguard specs.
- G. Exterior: Blast & apply one shop coat WHITE enamel.
- H. All fittings to be labeled and protected for shipment.
- I. Customer to verify nozzle sizes, locations and quantities.
- J. Saddles/skids may require shimming or grouting during installation.

*All pages of this Schedule A are incorporated by reference and are a part of the additional terms of the Master Terms & Conditions of Sale.
www.newberrytanks.com/masterterms.pdf

APPROVAL FOR CONSTRUCTION

SCHEDULE A - MASTER TERMS & CONDITIONS OF SALE*

- APPROVED AS DRAWN.
- APPROVED WITH NOTED CHANGES, CONSTRUCTION WILL BE SCHEDULED WHEN SIGNED DRAWING AND CONFIRMED ORDER ARE RECEIVED.

SIGNATURE: _____
 DATE: _____

SALES ORDER#



Phone: 870-735-4473 Fax: 870-735-3982

VESSEL DESCRIPTION:
 550 Gallon 48" I.D. x 6'-0" O.A.L. Fireguard Saddle Tank

| | | | |
|-----------|--------|------------------|--------------|
| CUSTOMER: | | P.O.# | |
| DATE: | SCALE: | DWG.# | DRAWN BY: TC |
| - | - | NB00550FGD04810G | CHKD. BY: |

This drawing may contain CONFIDENTIAL information and is intended only for the use of the specific individual(s) to which it is addressed.