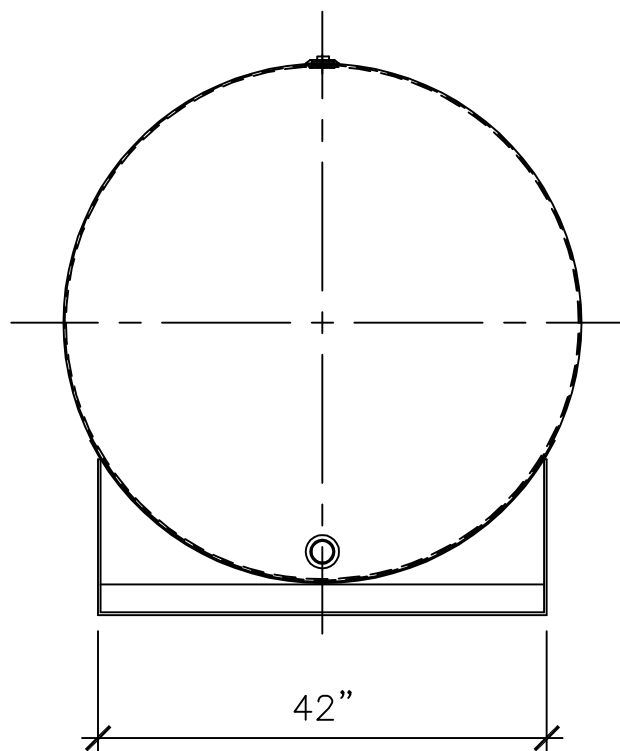
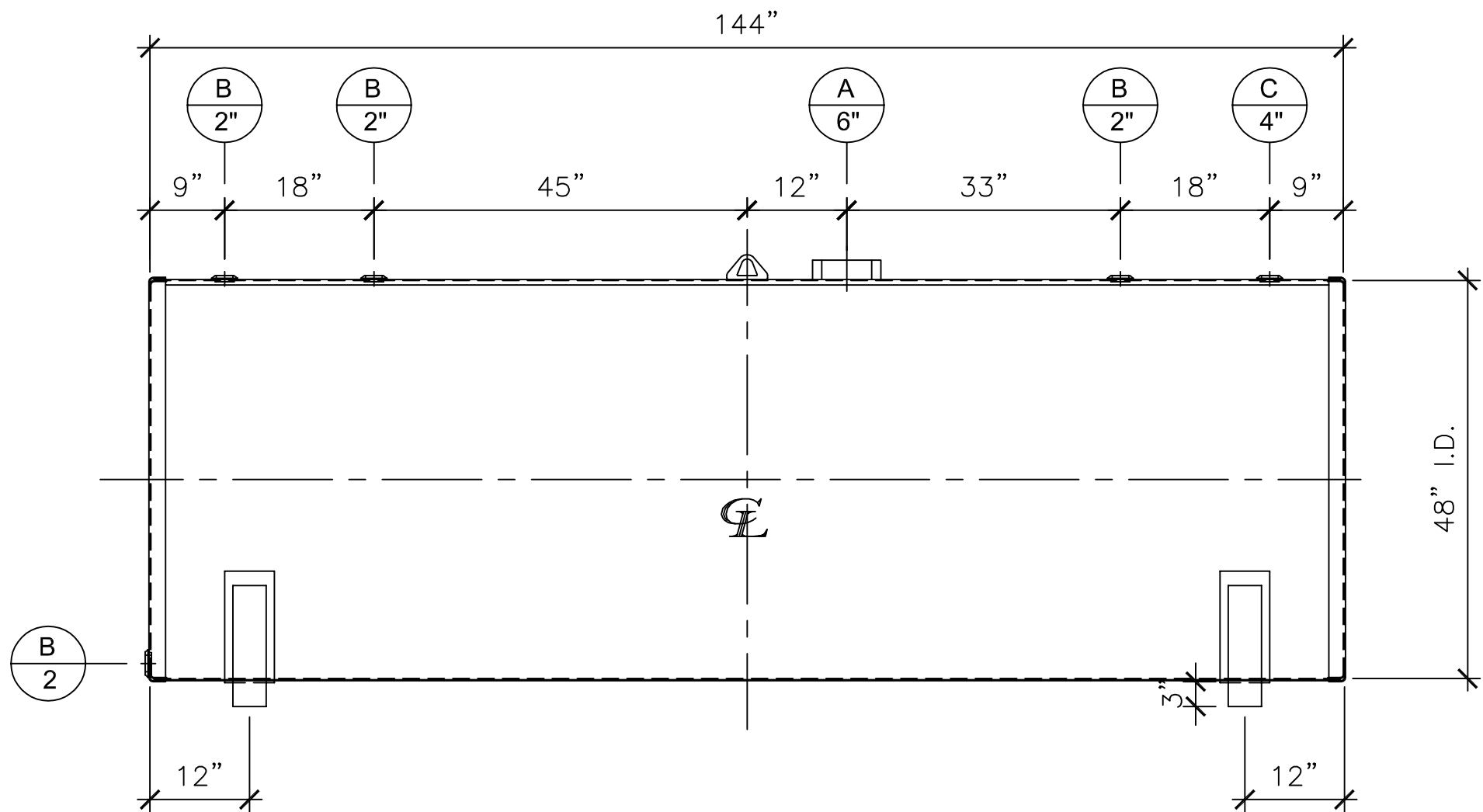


NOZZLE SCHEDULE						
ITEM	SIZE	RATING	TYPE	MATL	REMARKS	NOTES
A	6"	N.P.T.	H.CPL.	C.S.		EMERGENCY VENT OPENING
B	2"	N.P.T.	W.F.	C.S.		
C	4"	N.P.T.	W.F.	C.S.		



LEFT SIDE



FRONT VIEW

**NOTES:**

- A. Quantity:
- B. Material: H.R. Carbon Steel.
- C. Design Pressure: Atmospheric.
- D. Design Temperature: Ambient.
- E. Built & Labeled per U.L. Spec. #142.
- F. Exterior: Gray primer included; see Sales Order for top coat.
- G. All Fittings to be protected for shipment.
- H. Customer to verify nozzle sizes, locations and quantities.
- I. Saddles/skids may require shimming or grouting during installation.

\*All pages of this Schedule A are incorporated by reference and are a part of the additional terms of the Master Terms & Conditions of Sale.  
[www.newberrytanks.com/masterterms.pdf](http://www.newberrytanks.com/masterterms.pdf)

APPROVAL FOR CONSTRUCTION  
 SCHEDULE A - MASTER TERMS & CONDITIONS OF SALE\*


APPROVED AS DRAWN.

APPROVED WITH NOTED CHANGES, CONSTRUCTION WILL BE SCHEDULED WHEN SIGNED DRAWING AND CONFIRMED ORDER ARE RECEIVED.

SIGNATURE \_\_\_\_\_

DATE: \_\_\_\_\_

SALES ORDER# \_\_\_\_\_

  
 Phone: 870-735-4473 Fax: 870-735-3982

VESSEL DESCRIPTION:  
 1100 Gallon 48" I.D. x 12'-0" O.A.L. Single Wall Bracket Tank

CUSTOMER: \_\_\_\_\_ P.O.# \_\_\_\_\_

DATE: \_\_\_\_\_ SCALE: \_\_\_\_\_ DWG.# NB01100SWB04810G DRAWN BY: TC  
 CHKD. BY: \_\_\_\_\_

This drawing may contain CONFIDENTIAL information and is intended only for the use of the specific individual(s) to which it is addressed.

Newberry Tanks & Equipment, LLC 205 North Walker West Memphis, AR. 72301 870-735-4473 www.newberrytanks.com