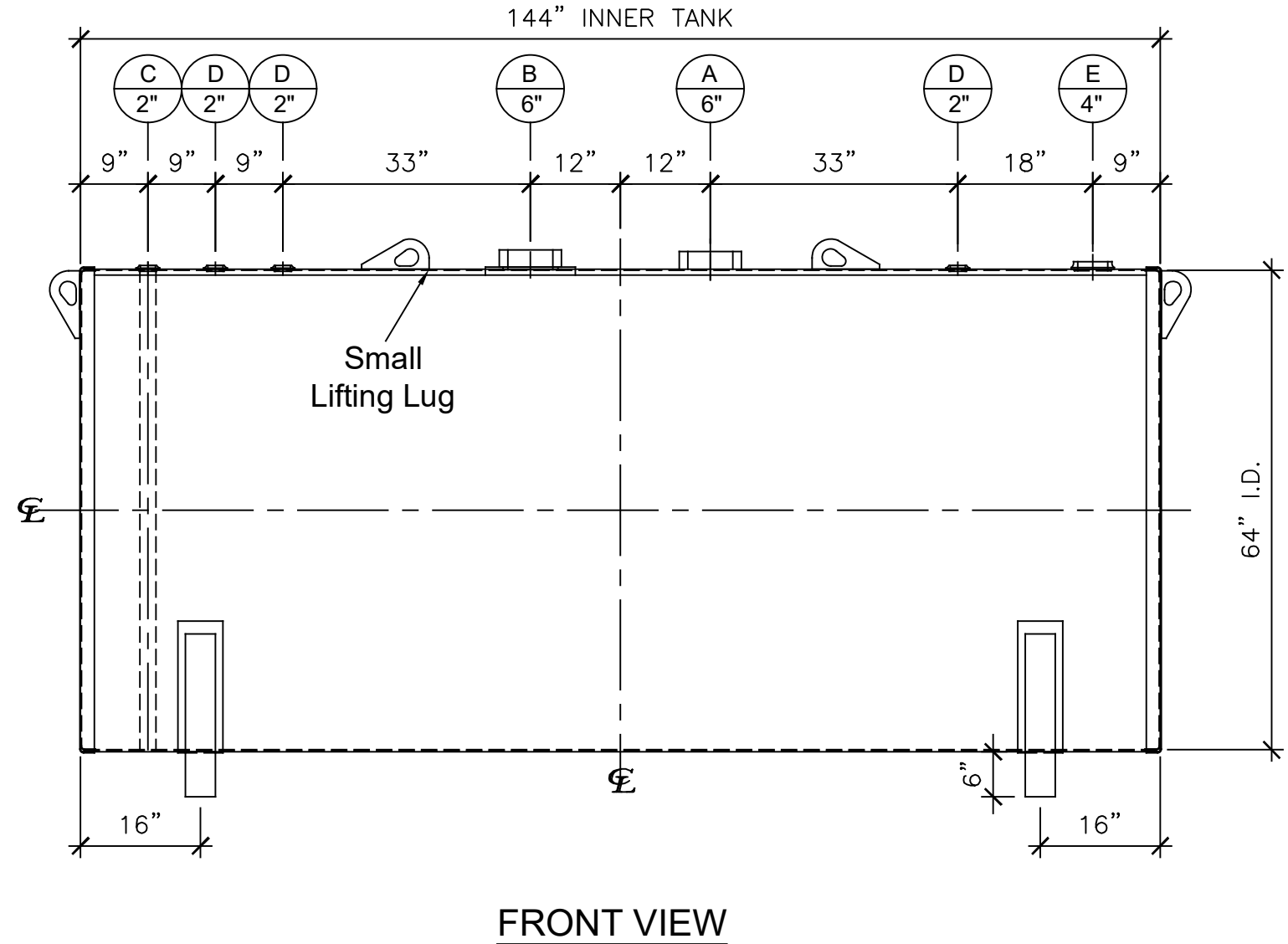
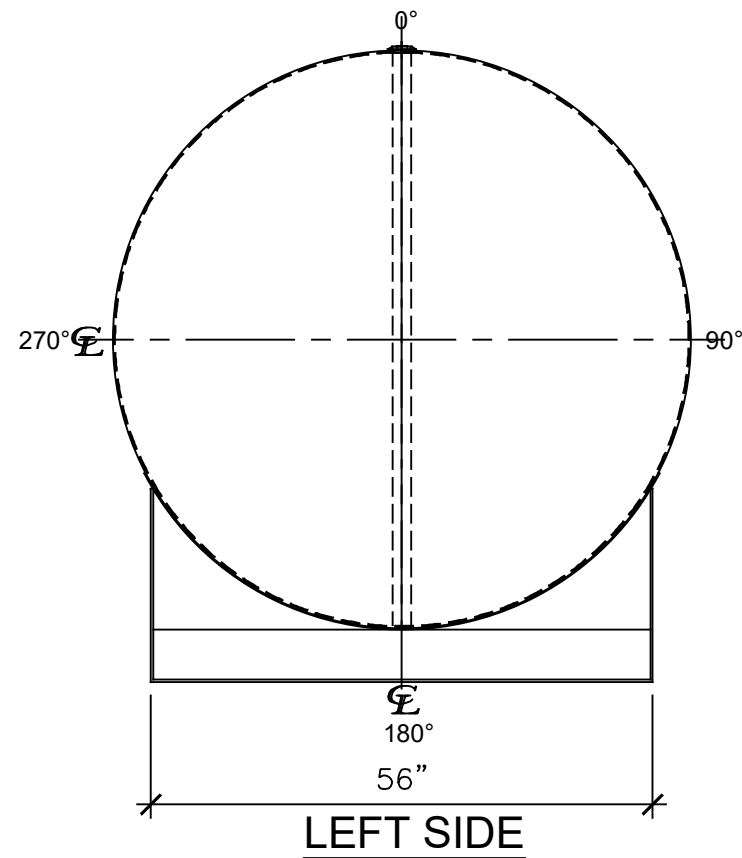


NOZZLE SCHEDULE						
ITEM	SIZE	RATING	TYPE	MATL	REMARKS	NOTES
A	6"	H.CPL.	W.F.	C.S.	PRIMARY	EMERGENCY VENT OPENING
B	6"	H.CPL.	W.F.	C.S.	SECONDARY	EMERGENCY VENT OPENING
C	2"	N.P.T.	M.F.	C.S.		MONITORING PORT
D	2"	N.P.T.	W.F.	C.S.		
E	4"	N.P.T.	W.F.	C.S.		



NOTES:

- A. Quantity:
- B. Material: H.R. Carbon Steel.
- C. Design Pressure: Atmospheric.
- D. Design Temperature: Ambient.
- E. Built & Labeled per U.L. Spec. #142.
- F. Exterior: Gray primer included; see Sales Order for top coat.
- G. All Fittings to be protected for shipment.
- H. Customer to verify nozzle sizes, locations and quantities.
- I. Saddles/skids may require shimming or grouting during installation.

*All pages of this Schedule A are incorporated by reference and are a part of the additional terms of the Master Terms & Conditions of Sale.
www.newberrytanks.com/masterterms.pdf

APPROVAL FOR CONSTRUCTION

SCHEDULE A - MASTER TERMS & CONDITIONS OF SALE*


APPROVED AS DRAWN.

APPROVED WITH NOTED CHANGES, CONSTRUCTION WILL BE SCHEDULED WHEN SIGNED DRAWING AND CONFIRMED ORDER ARE RECEIVED.

SIGNATURE _____

DATE: _____

SALES ORDER#



Phone: 870-735-4473 Fax: 870-735-3982

VESSEL DESCRIPTION:
2000 Gallon 64" I.D. x 12'-0" O.A.L. Double Wall Bracket Tank

CUSTOMER: -		P.O.#	
DATE: 7/17/2020	SCALE:	DWG.# NB02000DWB06407G	DRAWN BY: AG CHKD. BY: JW