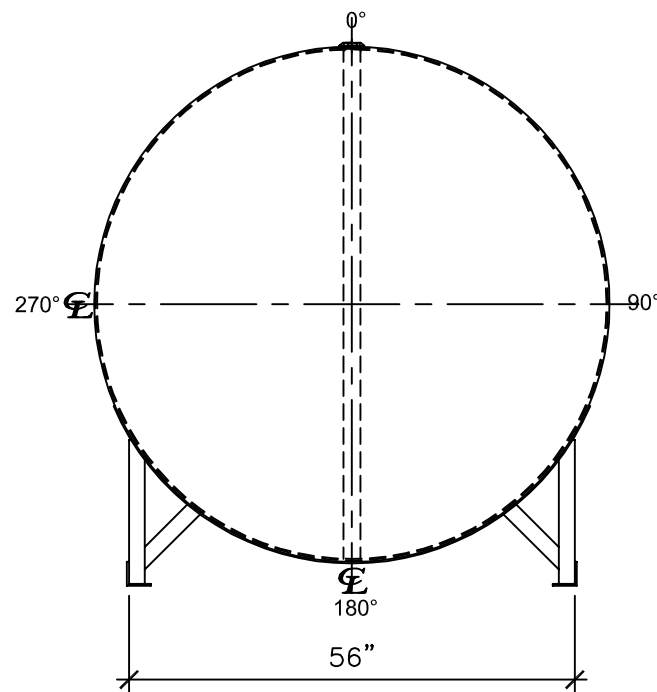
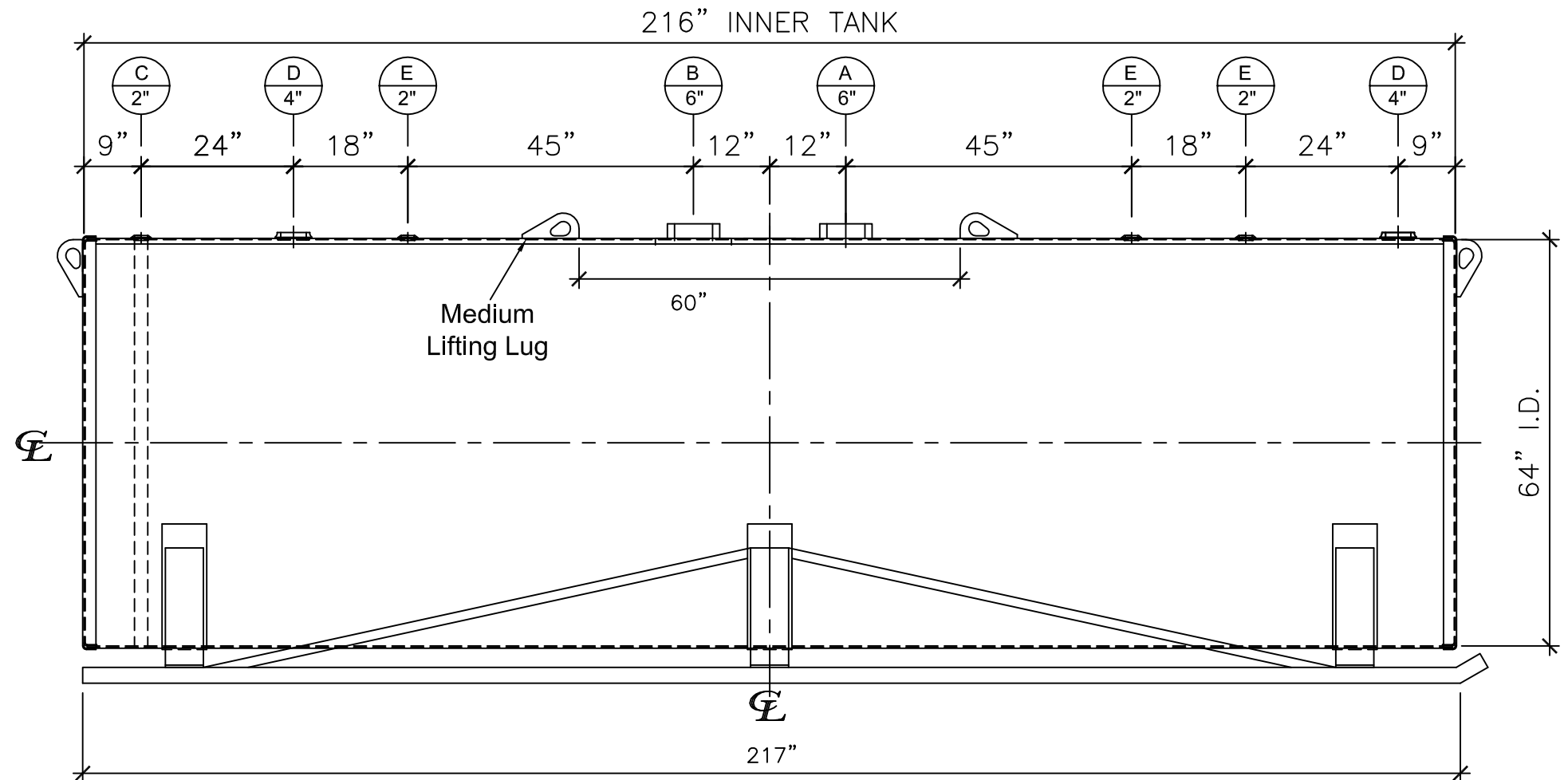


NOZZLE SCHEDULE

| ITEM | SIZE | RATING | TYPE | MATL | REMARKS | NOTES |
|------|------|--------|--------|------|-----------|------------------------|
| A | 6" | N.P.T. | H.CPL. | C.S. | PRIMARY | EMERGENCY VENT OPENING |
| B | 6" | N.P.T. | H.CPL. | C.S. | SECONDARY | EMERGENCY VENT OPENING |
| C | 2" | N.P.T. | M.F. | C.S. | | MONITORING PORT |
| D | 4" | N.P.T. | W.F. | C.S. | | |
| E | 2" | N.P.T. | W.F. | C.S. | | |



LEFT SIDE



FRONT VIEW

NOTES:

- A. Quantity:
- B. Material: H.R. Carbon Steel.
- C. Design Pressure: Atmospheric.
- D. Design Temperature: Ambient.
- E. Built & Labeled per U.L. Spec. #142.
- F. Exterior: Gray primer included; see Sales Order for top coat.
- G. All Fittings to be protected for shipment.
- H. Customer to verify nozzle sizes, locations and quantities.
- I. Saddles/skids may require shimming or grouting during installation.

*All pages of this Schedule A are incorporated by reference and are a part of the additional terms of the Master Terms & Conditions of Sale.
www.newberrytanks.com/masterterms.pdf

APPROVAL FOR CONSTRUCTION
 SCHEDULE A - MASTER TERMS &
 CONDITIONS OF SALE*

- APPROVED AS DRAWN.
 - APPROVED WITH NOTED CHANGES,
 CONSTRUCTION WILL BE SCHEDULED
 WHEN SIGNED DRAWING AND
 CONFIRMED ORDER ARE RECEIVED.
- SIGNATURE _____
 DATE: _____

SALES ORDER#



Phone: 870-735-4473 Fax: 870-735-3982

VESSEL DESCRIPTION:

3000 Gallon 64" I.D. x 18'-0" O.A.L. Double Wall Skid Tank

CUSTOMER:

DATE:

SCALE:

DWG.#

NB03000DWS06407G

P.O.#

DRAWN BY: TC

CHKD. BY:

This drawing may contain CONFIDENTIAL information and is intended only for the use of the specific individual(s) to which it is addressed.