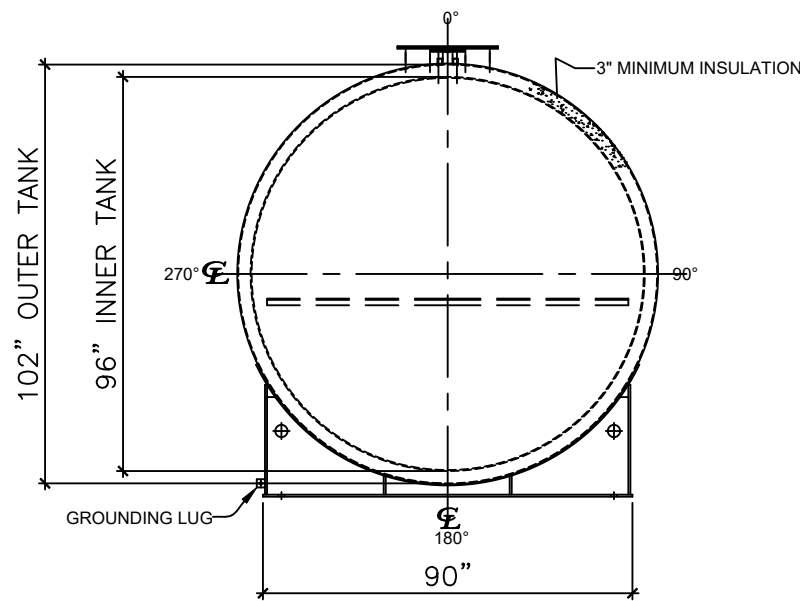


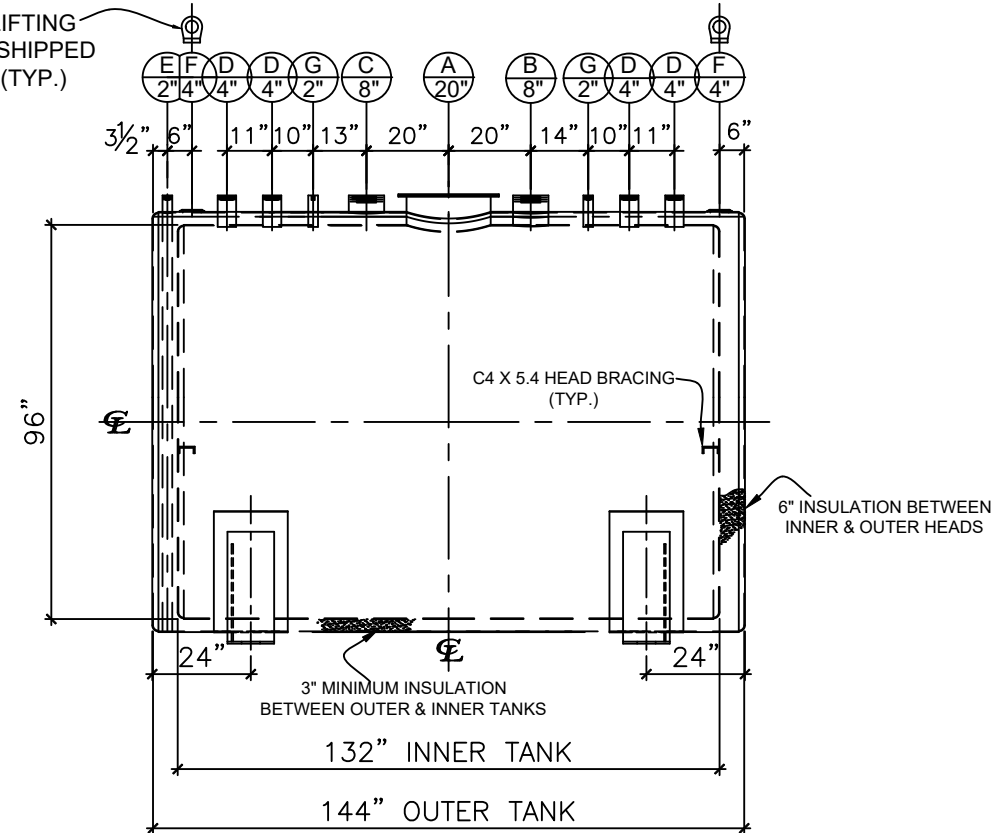
### NOZZLE SCHEDULE

ITEM	SIZE	RATING	TYPE	MATL.	PROJ. IN	PROJ. OUT	REMARKS	NOTES
A	20"	U.L.	M.W.	C.S.	STD.	STD.	SINGLE PUNCHED	TIGHT BOLTED
B	8"	N.P.T.	CPL.	C.S.	STD.	STD.	PRIMARY	EMERGENCY VENT OPENING
C	8"	N.P.T.	H.CPL.	C.S.	STD.	STD.	SECONDARY	EMERGENCY VENT OPENING
D	4"	N.P.T.	CPL.	C.S.	STD.	STD.	-	-
E	2"	N.P.T.	PIPE	C.S.	STD.	STD.	-	MONITORING PORT
F	4"	N.P.T.	W.F.	C.S.	STD.	STD.	-	INTERSTICE FILL
G	2"	N.P.T.	CPL.	C.S.	STD.	STD.	-	-



LEFT SIDE

SCREW IN LIFTING LUG TO BE SHIPPED WITH TANK (TYP.)



FRONT VIEW

**NOTES:**

- A. Quantity: One
- B. Material: H.R. Carbon Steel.
- C. Design Pressure: Atmospheric.
- D. Design Temperature: Ambient.
- E. Built & labeled per U.L. #142, #2085 & STI Fireguard Specifications.
- F. Interstice to be filled w/ 3" min. thermal insulation per Fireguard specs.
- G. Exterior: Blast & apply one shop coat WHITE enamel.
- H. All fittings to be labeled and protected for shipment.
- I. Customer to verify nozzle sizes, locations and quantities.
- J. Saddles/skids may require shimming or grouting during installation.

\*All pages of this Schedule A are incorporated by reference and are a part of the additional terms of the Master Terms & Conditions of Sale.  
[www.newberrytanks.com/masterterms.pdf](http://www.newberrytanks.com/masterterms.pdf)

<p><b>APPROVAL FOR CONSTRUCTION</b>                  SCHEDULE A - MASTER TERMS &amp; CONDITIONS OF SALE*</p> <p><input type="checkbox"/> APPROVED AS DRAWN.</p> <p><input type="checkbox"/> APPROVED WITH NOTED CHANGES, CONSTRUCTION WILL BE SCHEDULED WHEN SIGNED DRAWING IS RECEIVED.</p> <p>SIGNATURE: _____                  DATE: _____</p>	<p><b>SALES ORDER#</b></p> <div style="text-align: center;"> <p>Phone: 870-735-4473 Fax: 870-735-3982</p> </div> <p>VESSEL DESCRIPTION:                  4000 Gallon 96" I.D. x 11'-0" O.A.L. Fireguard Saddle Tank</p> <table style="width: 100%; border: none;"> <tr> <td style="border: none;">CUSTOMER:</td> <td style="border: none;">P.O.#</td> </tr> <tr> <td style="border: none;">-</td> <td style="border: none;">-</td> </tr> <tr> <td style="border: none;">DATE:</td> <td style="border: none;">SCALE:</td> </tr> <tr> <td style="border: none;">-</td> <td style="border: none;">-</td> </tr> <tr> <td style="border: none;">DWG.#</td> <td style="border: none;">DRAWN BY: TC</td> </tr> <tr> <td style="border: none;">NB04000FGD096250</td> <td style="border: none;">CHKD. BY:</td> </tr> </table>	CUSTOMER:	P.O.#	-	-	DATE:	SCALE:	-	-	DWG.#	DRAWN BY: TC	NB04000FGD096250	CHKD. BY:
CUSTOMER:	P.O.#												
-	-												
DATE:	SCALE:												
-	-												
DWG.#	DRAWN BY: TC												
NB04000FGD096250	CHKD. BY:												

This drawing may contain CONFIDENTIAL information and is intended only for the use of the specific individual(s) to which it is addressed.