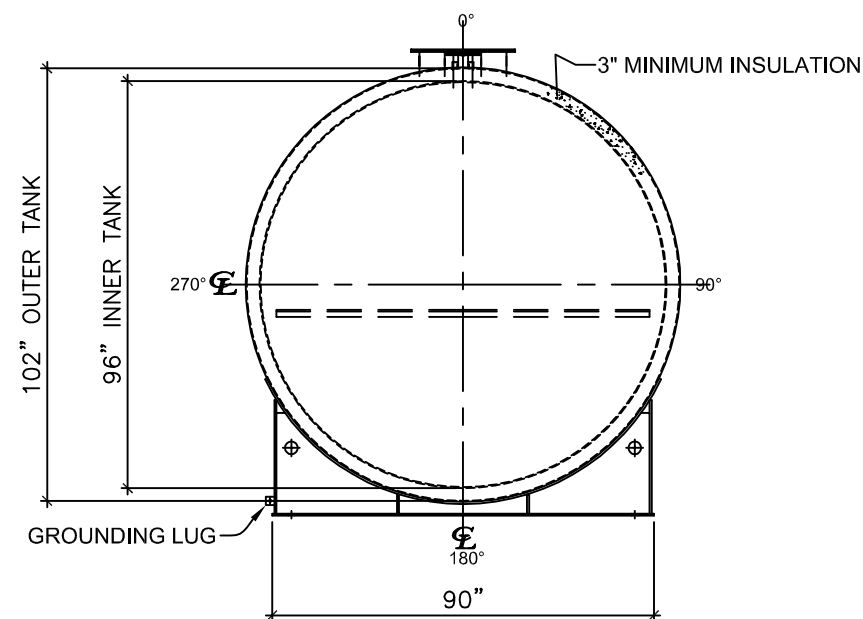
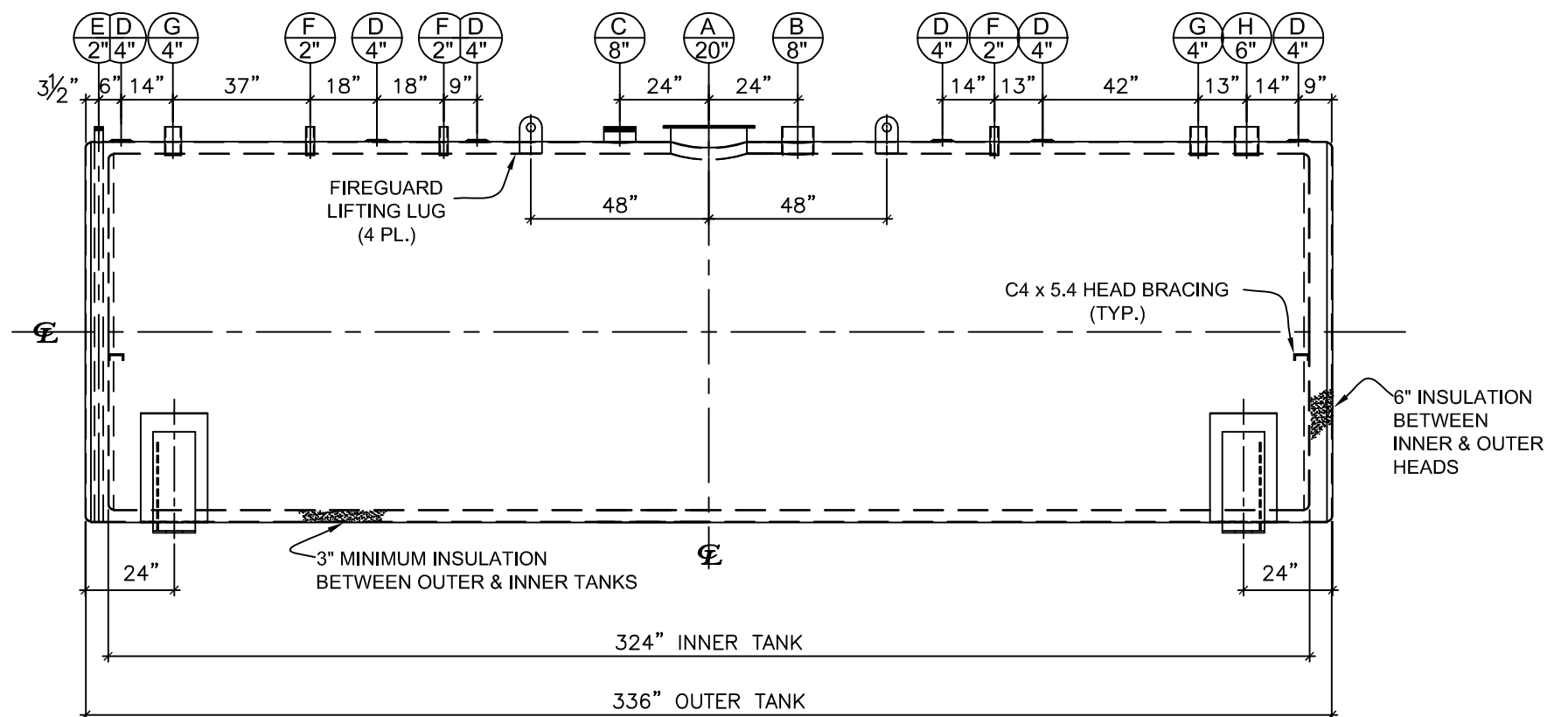


NOZZLE SCHEDULE								
ITEM	SIZE	RATING	TYPE	MATL.	PROJ. IN	PROJ. OUT	REMARKS	NOTES
A	20"	U.L.	M.W.	C.S.	STD.	STD.	SINGLE PUNCHED	TIGHT BOLTED
B	8"	N.P.T.	CPL.	C.S.	STD.	STD.	PRIMARY	EMERGENCY VENT OPENING
C	8"	N.P.T.	H.CPL.	C.S.	STD.	STD.	SECONDARY	EMERGENCY VENT OPENING
D	4"	N.P.T.	W.F.	C.S.	STD.	STD.	-	INTERSTICE FILL
E	2"	N.P.T.	PIPE	C.S.	STD.	STD.	-	MONITORING PORT
F	2"	N.P.T.	CPL.	C.S.	STD.	STD.	-	-
G	4"	N.P.T.	CPL.	C.S.	STD.	STD.	-	-
H	6"	N.P.T.	CPL.	C.S.	STD.	STD.	-	-



LEFT SIDE



FRONT VIEW

**NOTES:**

- A. Quantity:
- B. Material: H.R. Carbon Steel.
- C. Design Pressure: Atmospheric.
- D. Design Temperature: Ambient.
- E. Built & labeled per U.L. #142, #2085 & STI Fireguard Specifications.
- F. Interstice to be filled w/ 3" min. thermal insulation per Fireguard specs.
- G. Exterior: Blast & apply one shop coat WHITE enamel.
- H. All fittings to be labeled and protected for shipment.
- I. Customer to verify nozzle sizes, locations and quantities.
- J. Saddles/skids may require shimming or grouting during installation.

\*All pages of this Schedule A are incorporated by reference and are a part of the additional terms of the Master Terms & Conditions of Sale.  
www.newberrytanks.com/masterterms.pdf

APPROVAL FOR CONSTRUCTION  
SCHEDULE A - MASTER TERMS & CONDITIONS OF SALE\*

- APPROVED AS DRAWN.
- APPROVED WITH NOTED CHANGES, CONSTRUCTION WILL BE SCHEDULED WHEN SIGNED DRAWING AND CONFIRMED ORDER ARE RECEIVED.

SIGNATURE: \_\_\_\_\_  
DATE: \_\_\_\_\_

SALES ORDER#



Phone: 870-735-4473 Fax: 870-735-3982

VESSEL DESCRIPTION:  
10000 Gallon 96" I.D. x 27'-0" O.A.L. Fireguard Saddle Tank

CUSTOMER:		P.O.#	
DATE:	SCALE:	DWG.# NB10000FGD096250	DRAWN BY: TC CHKD. BY:

This drawing may contain CONFIDENTIAL information and is intended only for the use of the specific individual(s) to which it is addressed.