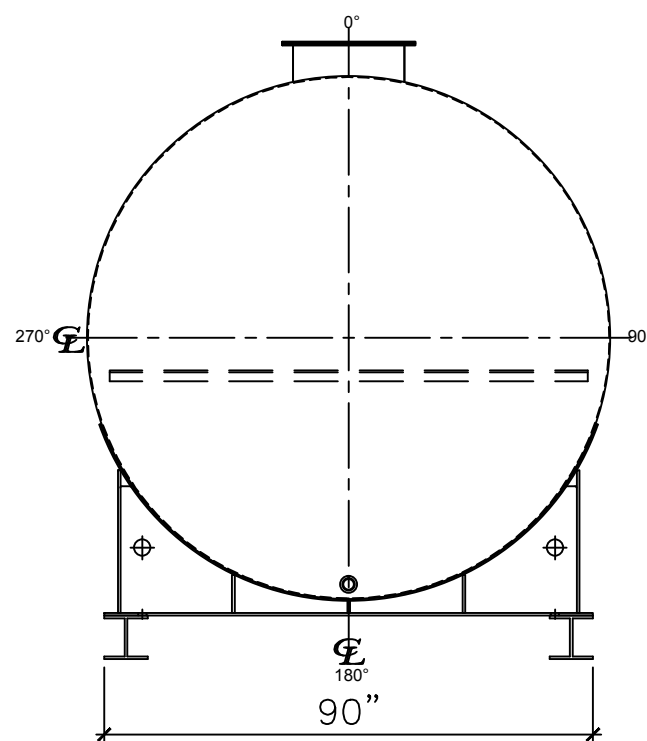
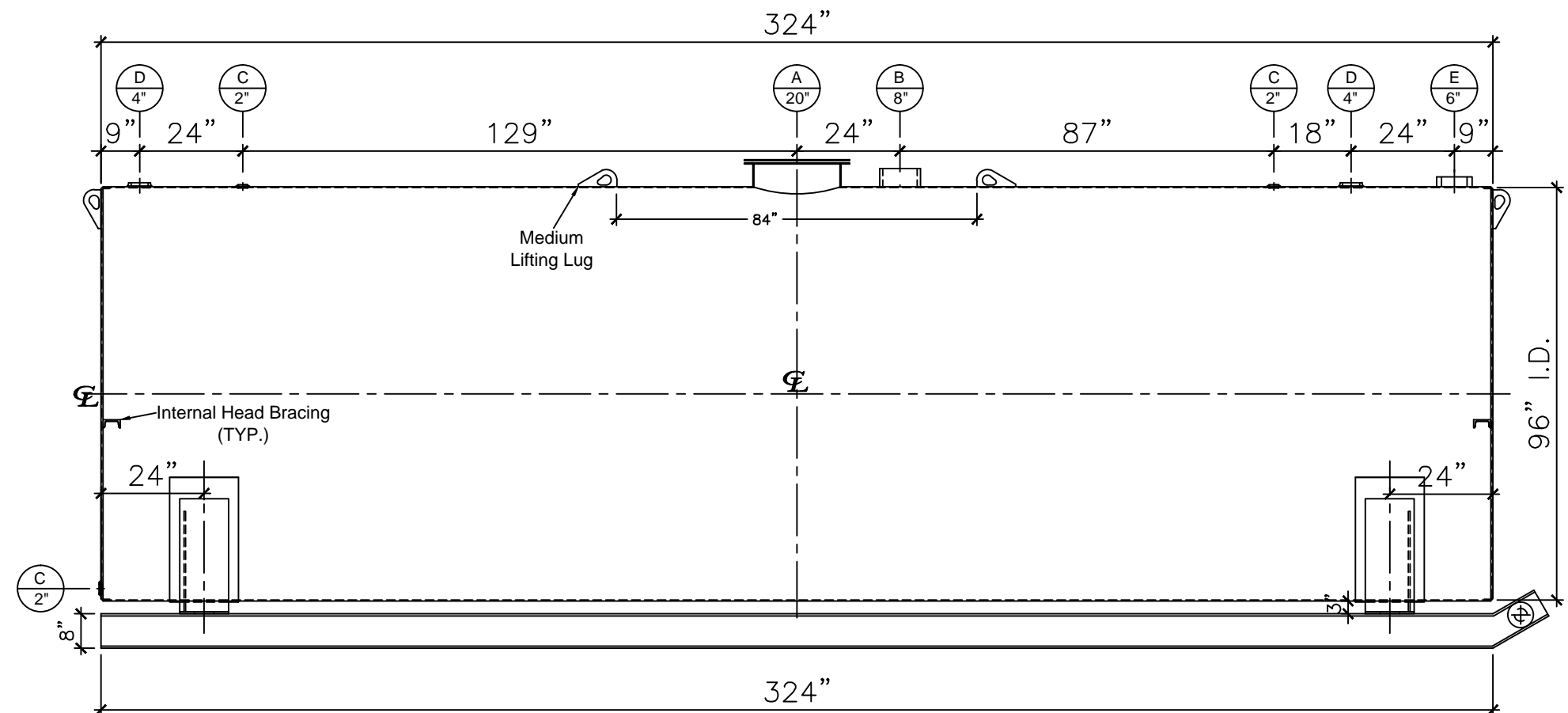


**NOZZLE SCHEDULE**

ITEM	SIZE	RATING	TYPE	MATL	PROJ. IN	PROJ. OUT	REMARKS	NOTES
A	20"	U.L.	M.W.	C.S.	STD.	STD.	SINGLE PUNCHED	TIGHT BOLTED
B	8"	N.P.T.	H. CPL.	C.S.	STD.	STD.	EMERGENCY VENT OPENING	-
C	2"	N.P.T.	W.F.	C.S.	STD.	STD.	C.T.B.A.P.	-
D	4"	N.P.T.	W.F.	C.S.	STD.	STD.	-	-
E	6"	N.P.T.	H.CPL.	C.S.	STD.	STD.	-	-



**LEFT SIDE**



**FRONT VIEW**

**NOTES:**


- A. Quantity:
- B. Material: H.R. Carbon Steel.
- C. Design Pressure: Atmospheric.
- D. Design Temperature: Ambient.
- E. Built & labeled per U.L. spec. #142.
- F. Exterior: Gray primer included; see Sales Order for top coat.
- G. All fittings to be protected for shipment.
- H. Customer to verify nozzle sizes, locations and quantities.
- I. Saddles/skids may require shimming or grouting during installation.

\*All pages of this Schedule A are incorporated by reference and are a part of the additional terms of the Master Terms & Conditions of Sale.  
[www.newberrytanks.com/masterterms.pdf](http://www.newberrytanks.com/masterterms.pdf)

APPROVAL FOR CONSTRUCTION  
 SCHEDULE A - MASTER TERMS &  
 CONDITIONS OF SALE\*

APPROVED AS DRAWN.  
 APPROVED WITH NOTED CHANGES,  
 CONSTRUCTION WILL BE SCHEDULED  
 WHEN SIGNED DRAWING AND  
 CONFIRMED ORDER ARE RECEIVED.  
 SIGNATURE: \_\_\_\_\_  
 DATE: \_\_\_\_\_

SALES ORDER#

 Phone: 870-735-4473 Fax: 870-735-3982			
VESSEL DESCRIPTION: 10000 Gallon 96" I.D. x 27'-0" O.A.L. Single Wall Skid Tank			
CUSTOMER:		P.O.#	
DATE:	SCALE:	DWG.#	DRAWN BY: TC
-	-	NB10000SWS096250	CHKD. BY:

This drawing may contain CONFIDENTIAL information and is intended only for the use of the specific individual(s) to which it is addressed.