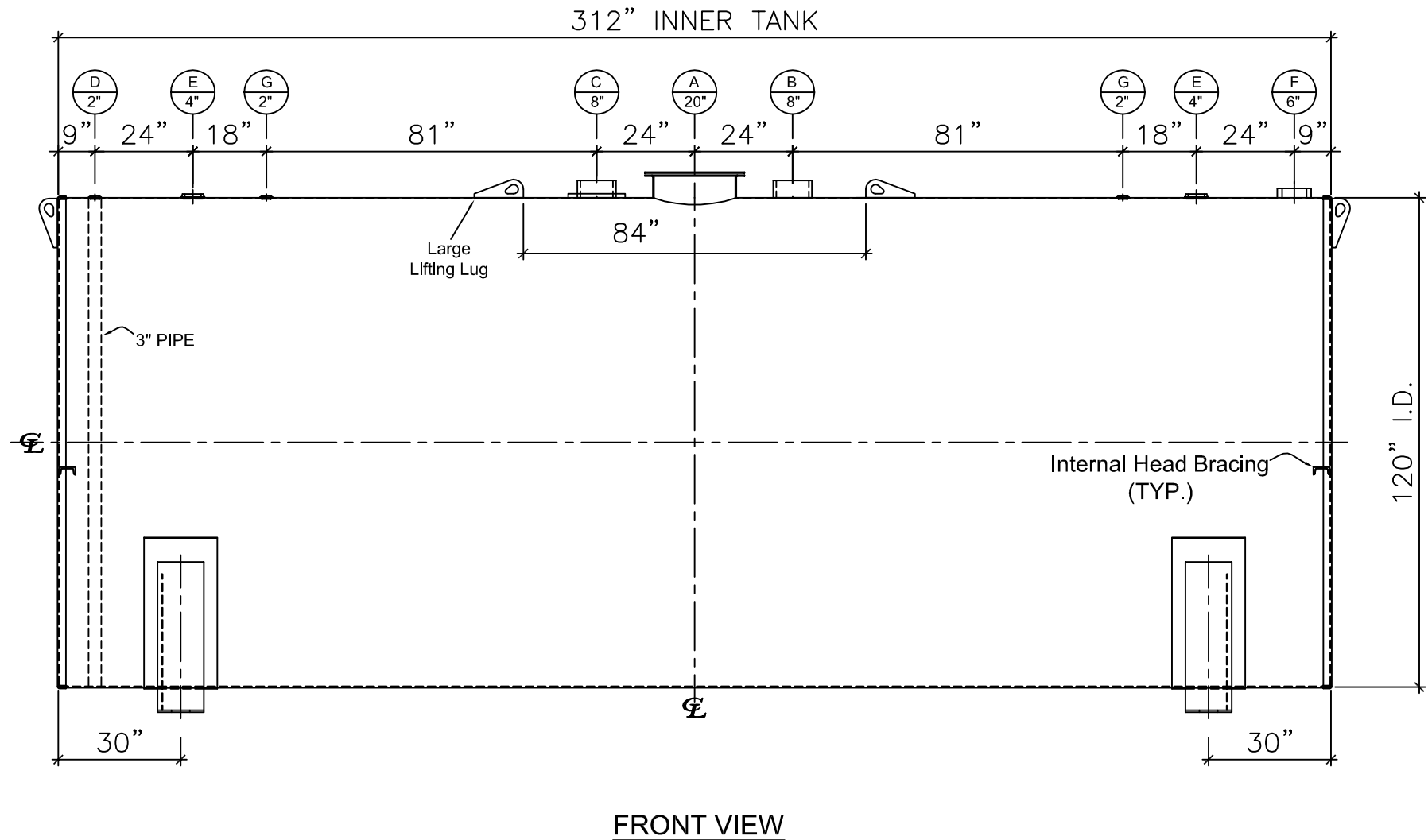
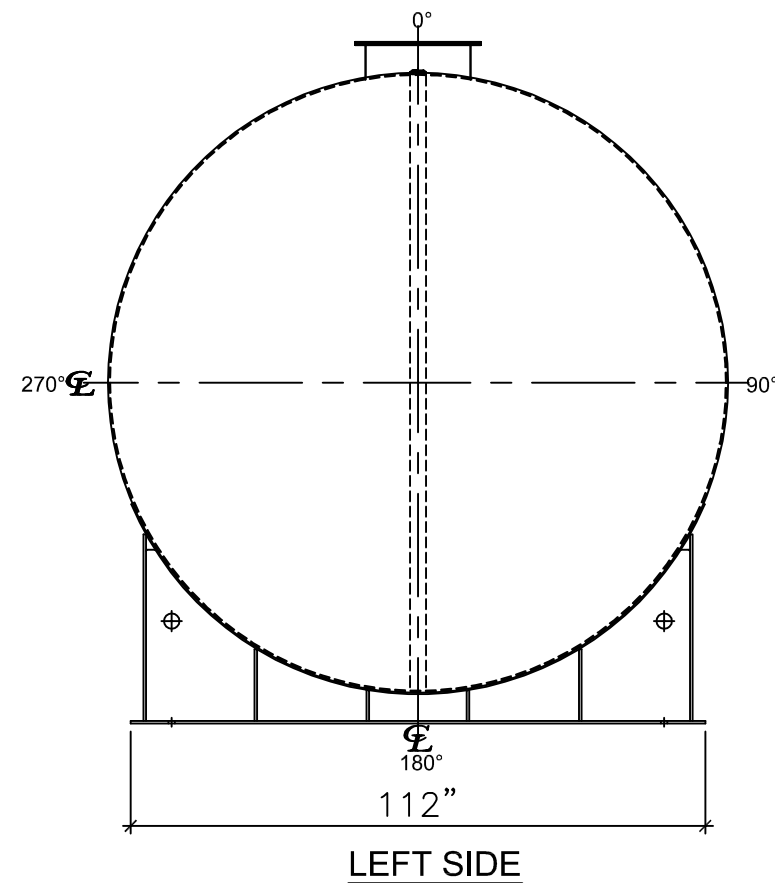


NOZZLE SCHEDULE						
ITEM	SIZE	RATING	TYPE	MATL	REMARKS	NOTES
A	20"	U.L.	M.W.	C.S.	SINGLE PUNCHED	TIGHT BOLTED
B	8"	N.P.T.	H. CPL.	C.S.	PRIMARY	EMERGENCY VENT OPENING
C	8"	N.P.T.	H. CPL.	C.S.	SECONDARY	EMERGENCY VENT OPENING
D	2"	N.P.T.	M.F.	C.S.	-	MONITORING PORT
E	4"	N.P.T.	W.F.	C.S.	-	-
F	6"	N.P.T.	H.CPL.	C.S.	-	-
G	2"	N.P.T.	W.F.	C.S.	-	-



NOTES:


- A. Quantity:
- B. Material: H.R. Carbon Steel.
- C. Design Pressure: Atmospheric.
- D. Design Temperature: Ambient.
- E. Built & labeled per U.L. spec. #142.
- F. Exterior: Gray primer included; see Sales Order for top coat.
- G. All fittings to be protected for shipment.
- H. Customer to verify nozzle sizes, locations and quantities.
- I. Saddles/skids may require shimming or grouting during installation.

*All pages of this Schedule A are incorporated by reference and are a part of the additional terms of the Master Terms & Conditions of Sale.
www.newberrytanks.com/masterterms.pdf

APPROVAL FOR CONSTRUCTION
 SCHEDULE A - MASTER TERMS &
 CONDITIONS OF SALE*

APPROVED AS DRAWN.
 APPROVED WITH NOTED CHANGES, CONSTRUCTION WILL BE SCHEDULED WHEN SIGNED DRAWING AND CONFIRMED ORDER ARE RECEIVED.
 SIGNATURE: _____
 DATE: _____

SALES ORDER#



Phone: 870-735-4473 Fax: 870-735-3982

VESSEL DESCRIPTION:
 15000 Gallon 120" I.D. x 26'-0" O.A.L. Double Wall Saddle Tank

CUSTOMER:		P.O.#	
DATE:	SCALE:	DWG.#	DRAWN BY: TC
-	-	NB15000DWB120250	CHKD. BY:

This drawing may contain CONFIDENTIAL information and is intended only for the use of the specific individual(s) to which it is addressed.