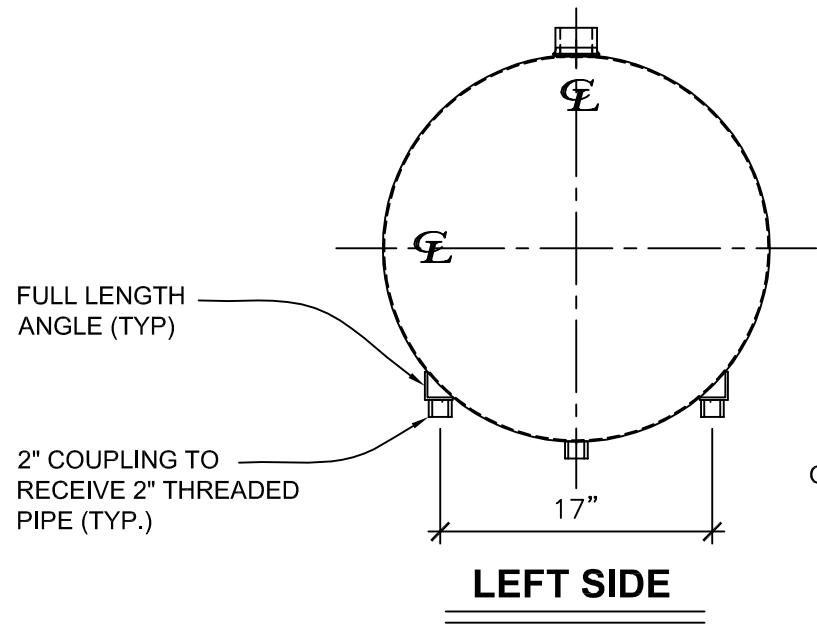


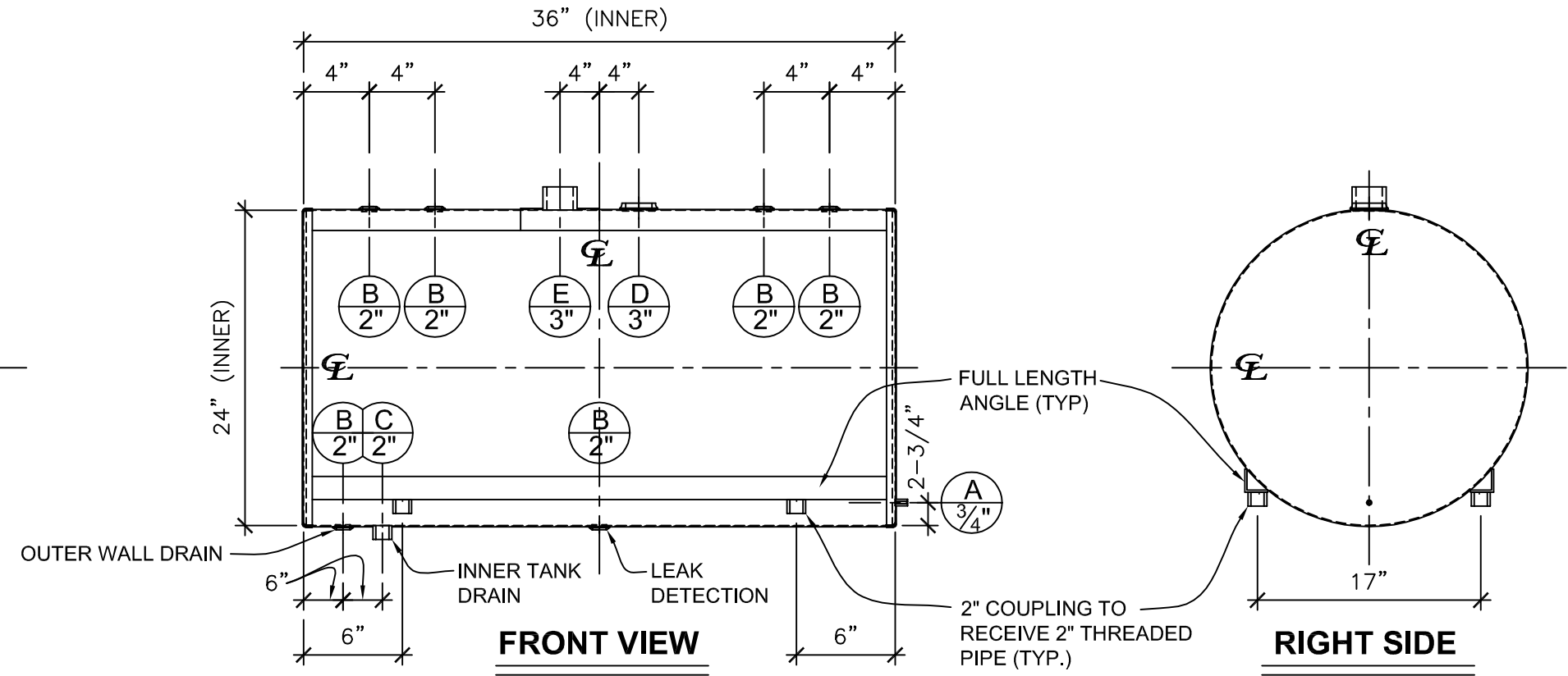
PLAN

NOZZLE SCHEDULE								
ITEM	SIZE	RATING	TYPE	MATL	PROJ IN	PROJ OUT	REMARKS	NOTES
A	3/4"	N.P.T.	Full CPL	C.S.	STD.	STD.		
B	2"	N.P.T.	W.F.	C.S.	STD.	STD.		
C	2"	N.P.T.	Full CPL	C.S.	STD.	STD.		
D	3"	N.P.T.	W.F.	C.S.	STD.	STD.	PRIMARY	EMERGENCY VENT
E	3"	N.P.T.	H. CPL	C.S.	STD.	STD.	SECONDARY	EMERGENCY VENT

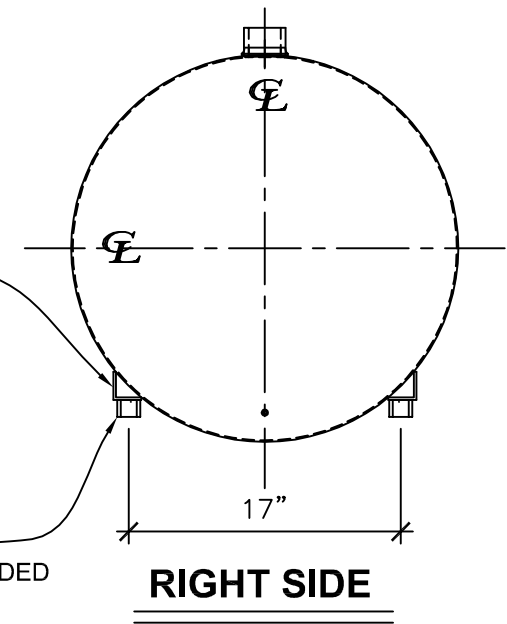
70 GAL.



LEFT SIDE



FRONT VIEW



RIGHT SIDE

NOTES:

- A. Quantity: One
- B. Material: H.R. Carbon Steel.
- C. Design & Operating Pressure: Atmospheric.
- D. Design & Operating Temperature: Ambient.
- E. Tank to be built & labeled per U.L. spec. #142.
- F. Tank to be air tested with water & soap suds solution.
- G. Interior: Remove weld slag, ship clean & dry.
- H. Exterior: Brushblast & apply red oxide primer.
- I. All fittings to be protected for shipment.
- J. Customer has the responsibility to verify all dimensions.

*All pages of this Schedule A are incorporated by reference and are a part of the additional terms of the Master Terms & Conditions of Sale.
www.newberrytanks.com/masterterms.pdf

APPROVAL FOR CONSTRUCTION
 SCHEDULE A - MASTER TERMS &
 CONDITIONS OF SALE*

APPROVED AS DRAWN.
 APPROVED WITH NOTED CHANGES,
 CONSTRUCTION WILL BE
 SCHEDULED WHEN SIGNED DRAWING
 IS RECEIVED.
 SIGNATURE _____
 DATE: _____

SALES ORDER:



VESSEL DESCRIPTION:
**70 GALLON, 24" DIA. x 36" LONG x 12 GA.,
 ABOVE GROUND, DUAL WALL TANK**

CUSTOMER: _____ P.O.# _____
 DATE: 3/25/14 SCALE: _____ DWG.# NB00070DSP02412G DRAWN BY: GP
 CHKD. BY: B.B.