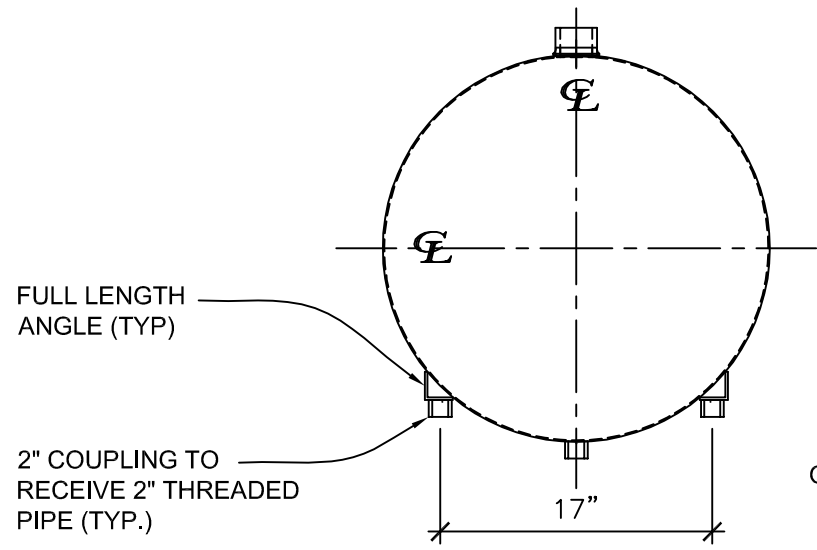


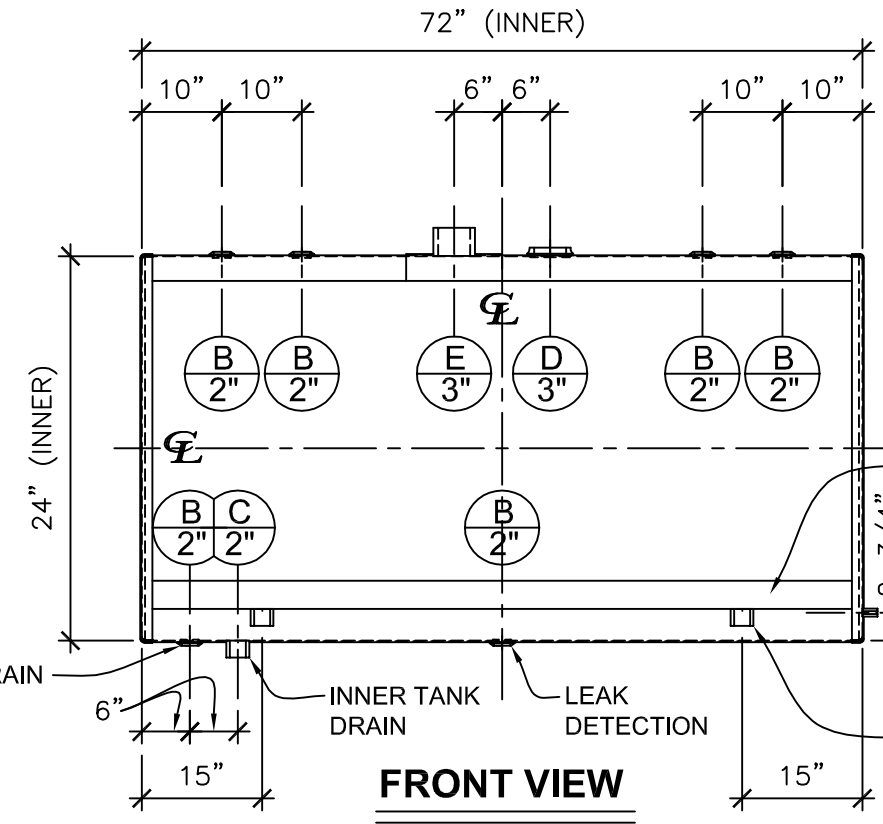
PLAN

NOZZLE SCHEDULE								
ITEM	SIZE	RATING	TYPE	MATL	PROJ IN	PROJ OUT	REMARKS	NOTES
A	3/4"	N.P.T.	Full CPL	C.S.	STD.	STD.		
B	2"	N.P.T.	W.F.	C.S.	STD.	STD.		
C	2"	N.P.T.	Full CPL	C.S.	STD.	STD.		
D	3"	N.P.T.	W.F.	C.S.	STD.	STD.	PRIMARY	EMERGENCY VENT
E	3"	N.P.T.	H. CPL	C.S.	STD.	STD.	SECONDARY	EMERGENCY VENT

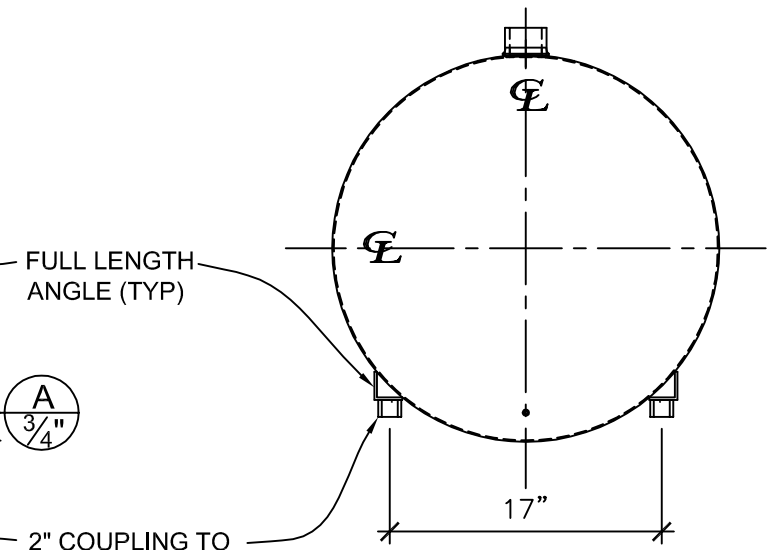
140 GAL.



LEFT SIDE



FRONT VIEW



RIGHT SIDE

NOTES:

- A. Quantity: One
- B. Material: H.R. Carbon Steel.
- C. Design & Operating Pressure: Atmospheric.
- D. Design & Operating Temperature: Ambient.
- E. Tank to be built & labeled per U.L. spec. #142.
- F. Tank to be air tested with water & soap suds solution.
- G. Interior: Remove weld slag, ship clean & dry.
- H. Exterior: Brushblast & apply red oxide primer.
- I. All fittings to be protected for shipment.
- J. Customer has the responsibility to verify all dimensions.

*All pages of this Schedule A are incorporated by reference and are a part of the additional terms of the Master Terms & Conditions of Sale.
www.newberrytanks.com/masterterms.pdf

APPROVAL FOR CONSTRUCTION
 SCHEDULE A - MASTER TERMS & CONDITIONS OF SALE*

APPROVED AS DRAWN.
 APPROVED WITH NOTED CHANGES, CONSTRUCTION WILL BE SCHEDULED WHEN SIGNED DRAWING IS RECEIVED.
 SIGNATURE _____
 DATE: _____

SALES ORDER:



VESSEL DESCRIPTION:
140 GALLON, 24" DIA. x 72" LONG x 12 GA., ABOVE GROUND, DUAL WALL TANK

CUSTOMER:		P.O.#	
DATE: 3/25/14	SCALE:	DWG.# NB00140DSP02412G	DRAWN BY: GP CHKD. BY: B.B.