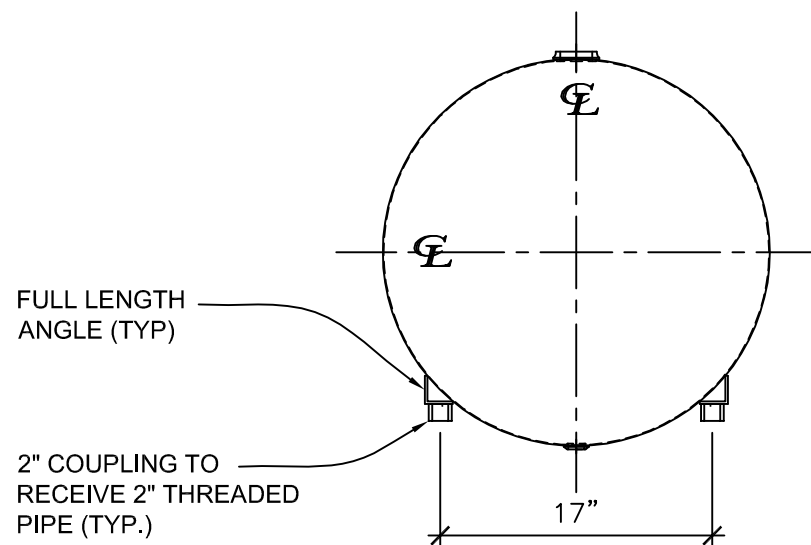


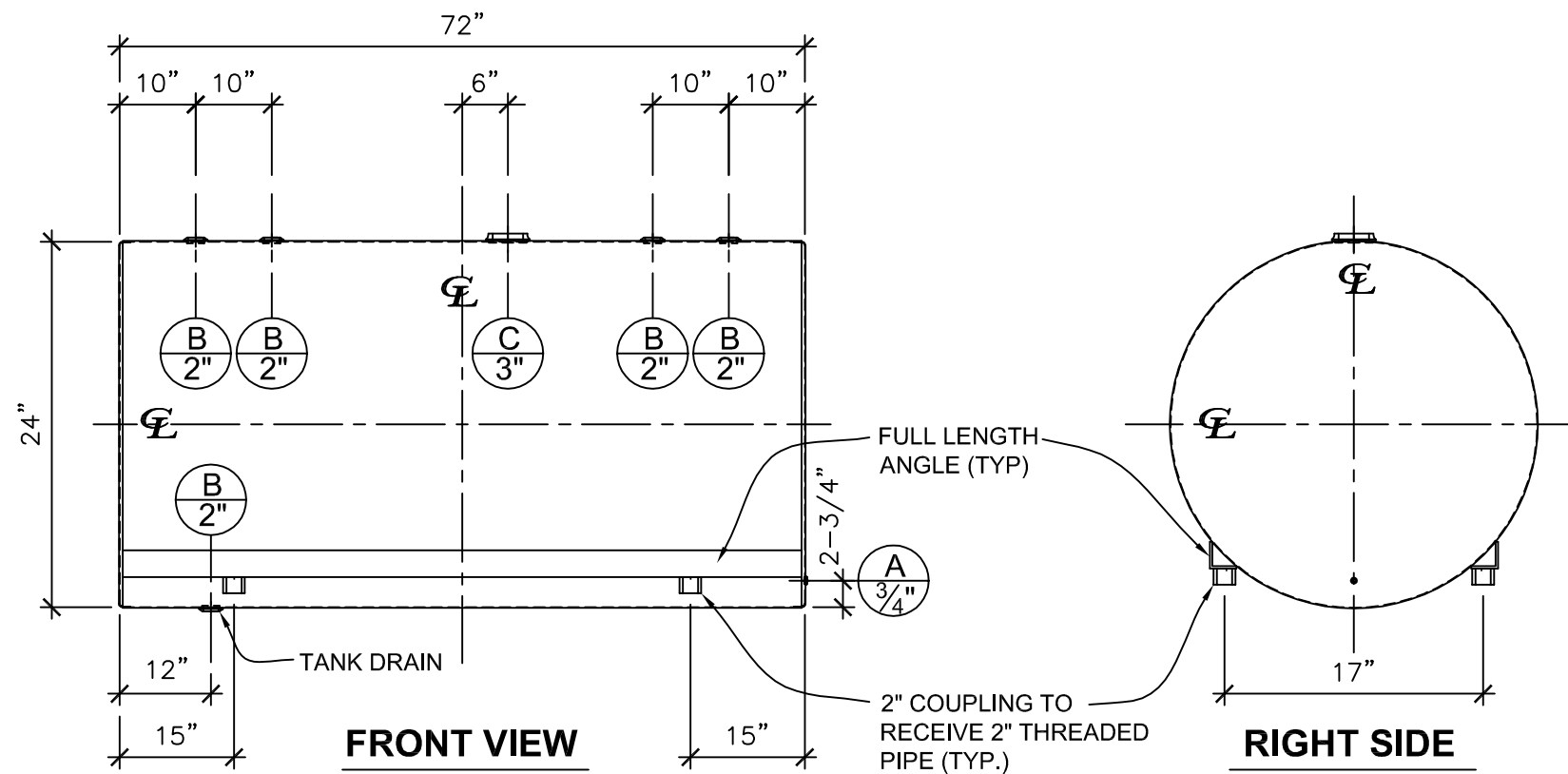
PLAN

NOZZLE SCHEDULE								
ITEM	SIZE	RATING	TYPE	MATL	PROJ IN	PROJ OUT	REMARKS	NOTES
A	3/4"	N.P.T.	W.F.	C.S.	STD.	STD.		
B	2"	N.P.T.	W.F.	C.S.	STD.	STD.		
C	3"	N.P.T.	W.F.	C.S.	STD.	STD.	PRIMARY	EMERGENCY VENT

140 GAL.



LEFT SIDE




FRONT VIEW

RIGHT SIDE

NOTES:

- A. Quantity: One
- B. Material: H.R. Carbon Steel.
- C. Design & Operating Pressure: Atmospheric.
- D. Design & Operating Temperature: Ambient.
- E. Tank to be built & labeled per U.L. spec. #142.
- F. Tank to be air tested with water & soap suds solution.
- G. Interior: Remove weld slag, ship clean & dry.
- H. Exterior: Brushblast & apply gray oxidized primer.
- I. All fittings to be protected for shipment.
- J. Customer has the responsibility to verify all dimensions.

FOR APPROVAL
APPROVAL FOR CONSTRUCTION PLEASE SIGN AND RETURN:
<input type="checkbox"/> APPROVED AS DRAWN.
<input type="checkbox"/> APPROVED WITH NOTED CHANGES, CONSTRUCTION WILL BE SCHEDULED WHEN SIGNED DRAWING IS RECEIVED.
SIGNATURE _____
DATE: _____

NO.	DESCRIPTION	DATE	NAME
REVISIONS			
 1-800-643-9395			
VESSEL DESCRIPTION: 140 GALLON, 24" DIA. x 72" LONG x 12 GA., ABOVE GROUND, SINGLE WALL TANK			
CUSTOMER: _____			P.O.# _____
DATE: 4/25/14	SCALE: 1/2" = 1'-0"	DWG.# NB00140SSP024012G	DRAWN BY: GP CHKD. BY: B.B.