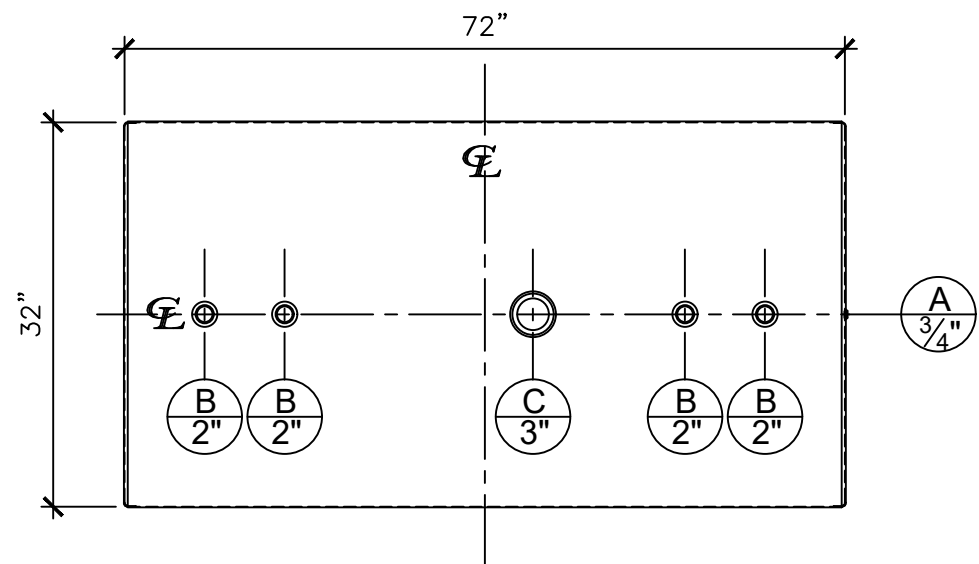
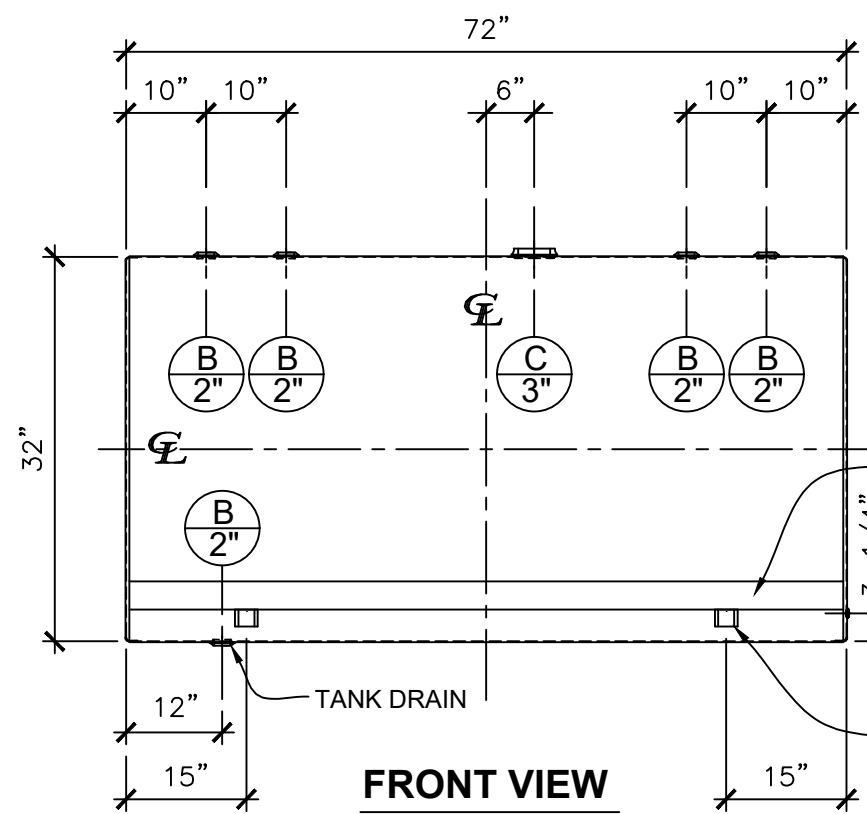


NOZZLE SCHEDULE								
ITEM	SIZE	RATING	TYPE	MATL	PROJ IN	PROJ OUT	REMARKS	NOTES
A	3/4"	N.P.T.	W.F.	C.S.	STD.	STD.		
B	2"	N.P.T.	W.F.	C.S.	STD.	STD.		
C	3"	N.P.T.	W.F.	C.S.	STD.	STD.	PRIMARY	EMERGENCY VENT

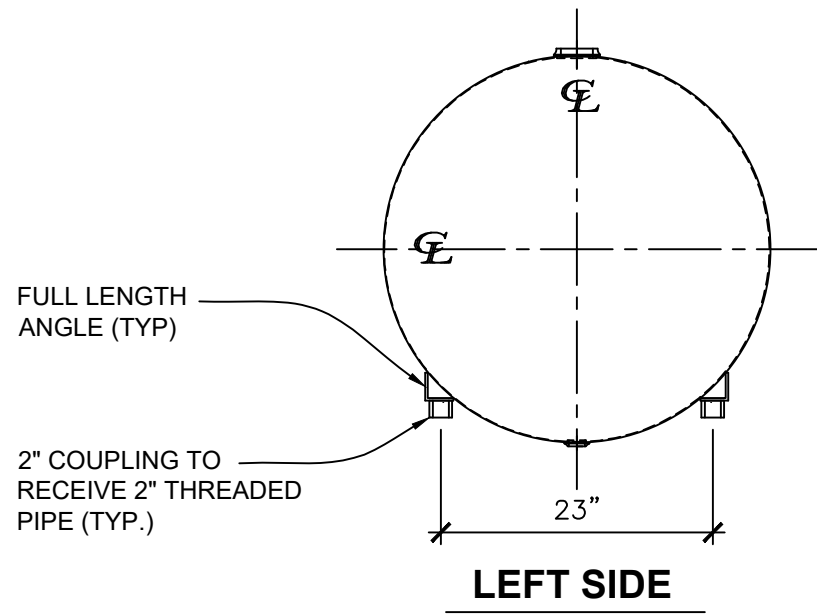
250 GAL.



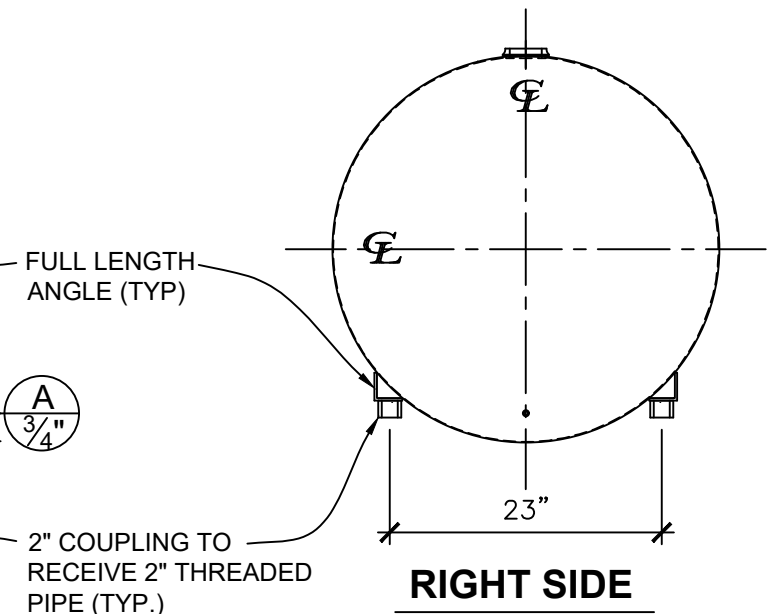
PLAN



FRONT VIEW



LEFT SIDE



RIGHT SIDE

NOTES:

- A. Quantity: One
- B. Material: H.R. Carbon Steel.
- C. Design & Operating Pressure: Atmospheric.
- D. Design & Operating Temperature: Ambient.
- E. Tank to be built & labeled per U.L. spec. #142.
- F. Tank to be air tested with water & soap suds solution.
- G. Interior: Remove weld slag, ship clean & dry.
- H. Exterior: Brushblast & apply red oxide primer.
- I. All fittings to be protected for shipment.
- J. Customer has the responsibility to verify all dimensions.

*All pages of this Schedule A are incorporated by reference and are a part of the additional terms of the Master Terms & Conditions of Sale.
www.newberrytanks.com/masterterms.pdf

APPROVAL FOR CONSTRUCTION
 SCHEDULE A - MASTER TERMS & CONDITIONS OF SALE*

- APPROVED AS DRAWN.
 - APPROVED WITH NOTED CHANGES, CONSTRUCTION WILL BE SCHEDULED WHEN SIGNED DRAWING IS RECEIVED.
- SIGNATURE _____
 DATE: _____

SALES ORDER:



VESSEL DESCRIPTION:
250 GALLON, 32" DIA. x 72" LONG x 12 GA., ABOVE GROUND, SINGLE WALL TANK

CUSTOMER: _____		P.O.# _____	
DATE: 3/25/14	SCALE: 1/2" = 1'-0"	DWG.# NB00250SSP03212G	DRAWN BY: GP
		CHKD. BY: B.B.	

This drawing may contain CONFIDENTIAL information and is intended only for the use of the specific individual(s) to which it is addressed.

Newberry Tanks & Equipment, Inc. 205 North Walker West Memphis, AR. 72301 800-643-9395 www.newberrytanks.com