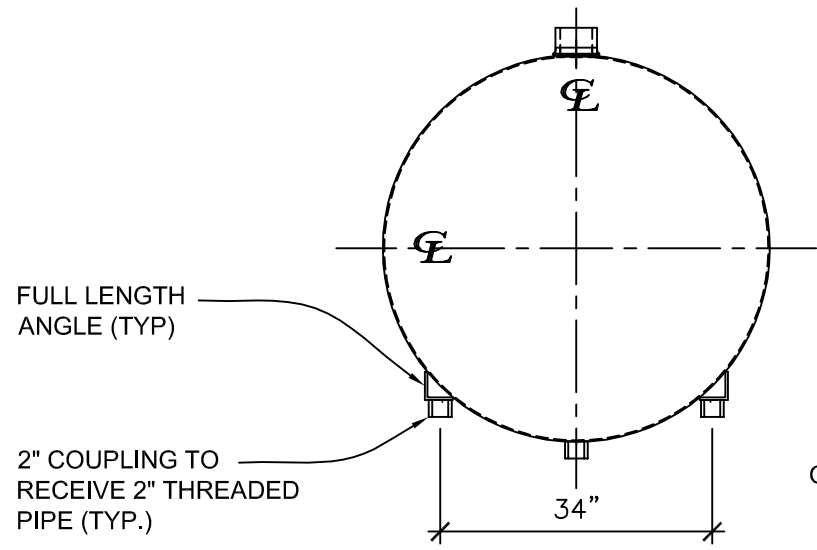


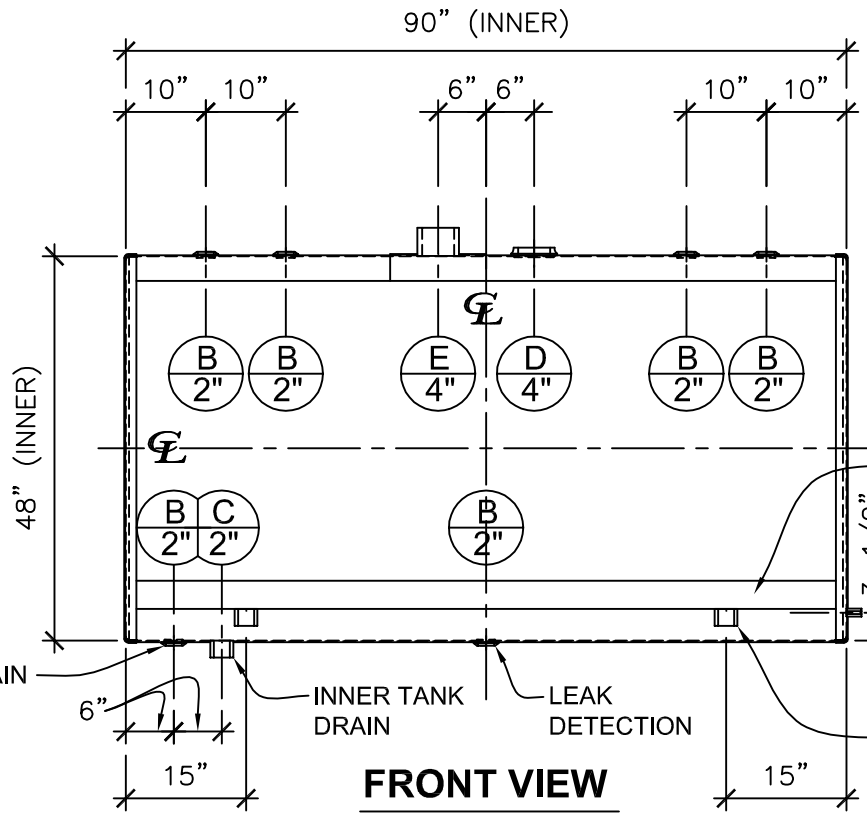
PLAN

| NOZZLE SCHEDULE | | | | | | | | |
|-----------------|------|--------|----------|------|---------|----------|-----------|----------------|
| ITEM | SIZE | RATING | TYPE | MATL | PROJ IN | PROJ OUT | REMARKS | NOTES |
| A | 3/4" | N.P.T. | Full CPL | C.S. | STD. | STD. | | |
| B | 2" | N.P.T. | W.F. | C.S. | STD. | STD. | | |
| C | 2" | N.P.T. | Full CPL | C.S. | STD. | STD. | | |
| D | 4" | N.P.T. | W.F. | C.S. | STD. | STD. | PRIMARY | EMERGENCY VENT |
| E | 4" | N.P.T. | H. CPL | C.S. | STD. | STD. | SECONDARY | EMERGENCY VENT |

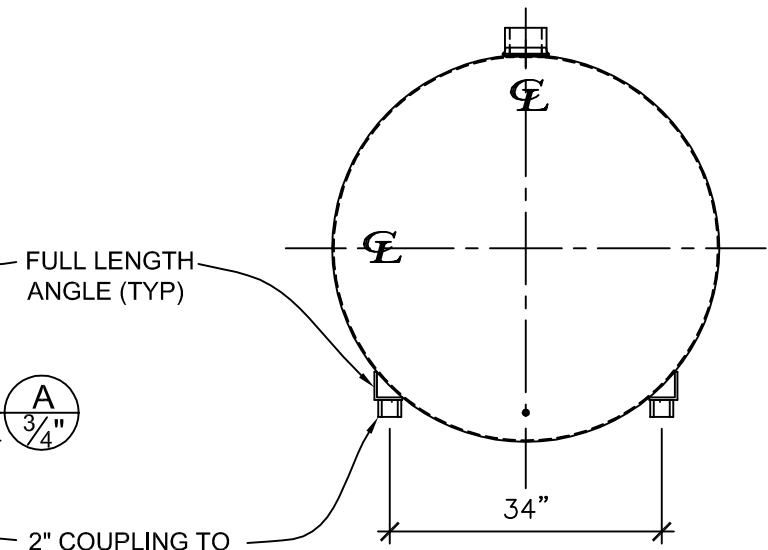
700 GAL.



LEFT SIDE



FRONT VIEW



RIGHT SIDE

NOTES:

- A. Quantity: One
- B. Material: H.R. Carbon Steel.
- C. Design & Operating Pressure: Atmospheric.
- D. Design & Operating Temperature: Ambient.
- E. Tank to be built & labeled per U.L. spec. #142.
- F. Tank to be air tested with water & soap suds solution.
- G. Interior: Remove weld slag, ship clean & dry.
- H. Exterior: Brushblast & apply red oxide primer.
- I. All fittings to be protected for shipment.
- J. Customer has the responsibility to verify all dimensions.

*All pages of this Schedule A are incorporated by reference and are a part of the additional terms of the Master Terms & Conditions of Sale.
www.newberrytanks.com/masterterms.pdf

APPROVAL FOR CONSTRUCTION
 SCHEDULE A - MASTER TERMS & CONDITIONS OF SALE*

- APPROVED AS DRAWN.
 - APPROVED WITH NOTED CHANGES, CONSTRUCTION WILL BE SCHEDULED WHEN SIGNED DRAWING IS RECEIVED.
- SIGNATURE _____
 DATE: _____

SALES ORDER:



| | | | |
|--|--------|---------------------------|--------------------------------|
| VESSEL DESCRIPTION: 700 GALLON, 48" DIA. x 90" LONG x 10 GA., ABOVE GROUND, DUAL WALL TANK | | | |
| CUSTOMER: | | P.O.# | |
| DATE: 3/24/14 | SCALE: | DWG.# NB00700DSP04810G | DRAWN BY: GP CHKD. BY: B.B. |