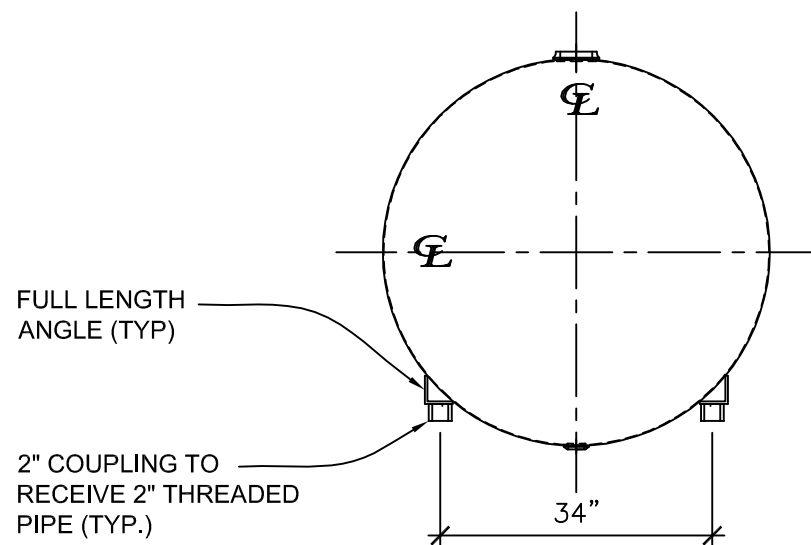


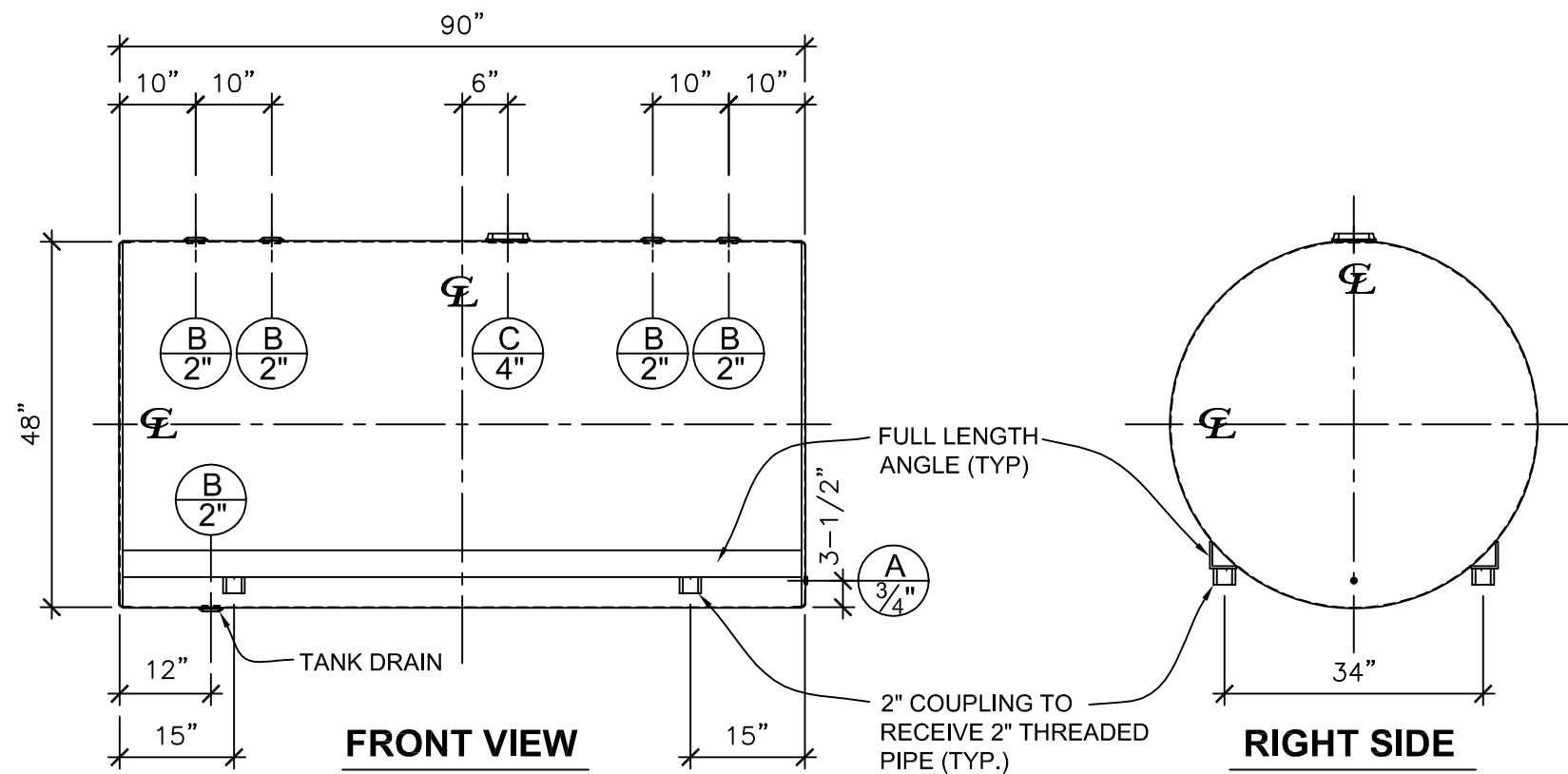
**PLAN**

NOZZLE SCHEDULE								
ITEM	SIZE	RATING	TYPE	MATL	PROJ IN	PROJ OUT	REMARKS	NOTES
A	3/4"	N.P.T.	W.F.	C.S.	STD.	STD.		
B	2"	N.P.T.	W.F.	C.S.	STD.	STD.		
C	4"	N.P.T.	W.F.	C.S.	STD.	STD.	PRIMARY	EMERGENCY VENT

**700 GAL.**



**LEFT SIDE**



**FRONT VIEW**

**RIGHT SIDE**

**NOTES:**

- A. Quantity: One
- B. Material: H.R. Carbon Steel.
- C. Design Pressure: Atmospheric.
- D. Design Temperature: Ambient.
- E. Built & labeled per U.L. spec. #142.
- F. Air test with water & soap suds solution.
- G. Interior: Remove weld slag, ship clean & dry.
- H. Exterior: Shop primer.
- I. All fittings to be protected for shipment.
- J. Customer to verify nozzle sizes, locations and quantities.

**TANK MATERIAL**

SHELL 10 GA  
HEADS 10 GA

**FOR APPROVAL**

APPROVAL FOR CONSTRUCTION  
PLEASE SIGN AND RETURN:

- APPROVED AS DRAWN.
  - APPROVED WITH NOTED CHANGES,  
CONSTRUCTION WILL BE  
SCHEDULED WHEN SIGNED DRAWING  
IS RECEIVED.
- SIGNATURE \_\_\_\_\_  
DATE: \_\_\_\_\_

**SALES ORDER #**



Phone: 870-735-4473 Fax: 870-735-3982

**VESSEL DESCRIPTION:**

**700 Gallon 48" Diameter Single Wall Tank**

**CUSTOMER:**

**SPP PUMPS**

**P.O.#**

DATE: 3/25/14

**SCALE:**

**DWG.#**

NB00700SSP04810G

**DRAWN BY:** GP

**CHKD. BY:** B.B.