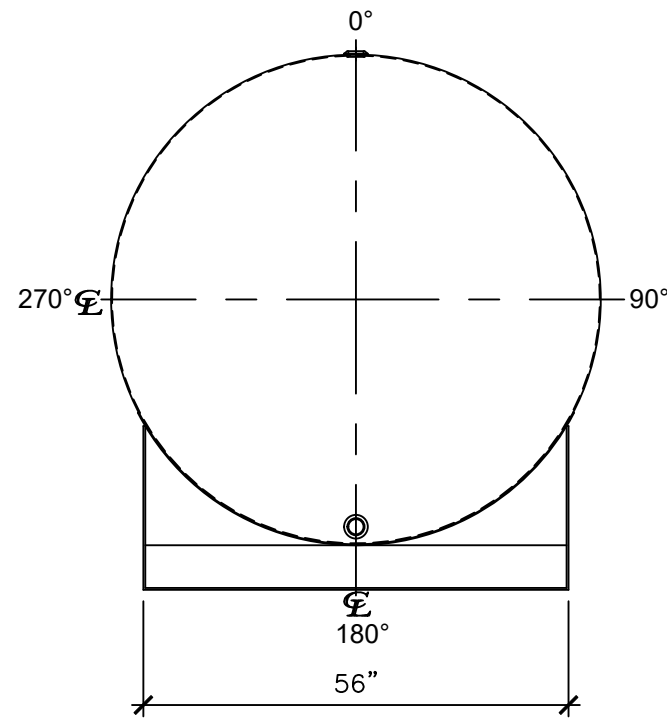
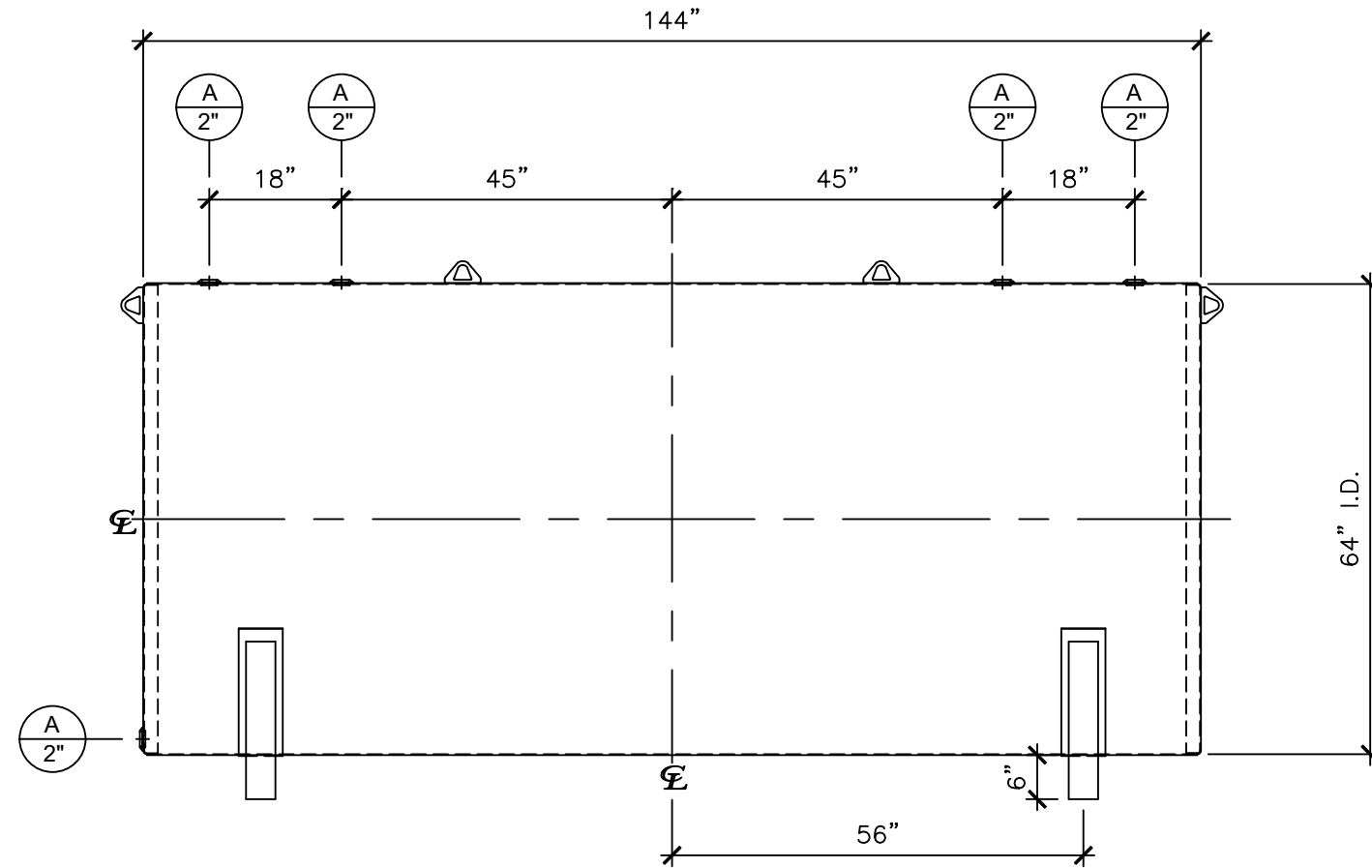


**NOZZLE SCHEDULE**

ITEM	SIZE	RATING	TYPE	MATL	REMARKS	NOTES
A	2"	N.P.T.	W.F.	C.S.	-	-



**LEFT SIDE**



**FRONT VIEW**

**NOTES:**

- A. Material: H.R. Carbon Steel.
- B. Design Pressure: Atmospheric.
- C. Design Temperature: Ambient.
- D. Exterior: Gray primer included; see Sales Order for top coat.
- E. All Fittings to be protected for shipment.
- F. Customer to verify nozzle sizes, locations, and quantities.
- G. Saddles/skids may require shimming or grouting during installation.

APPROVAL FOR CONSTRUCTION SCHEDULE A - MASTER TERMS & CONDITION OF SALE*		<b>SALES ORDER: -</b>		WEIGHT (LBS): 2037
<input type="checkbox"/> APPROVED AS DRAWN.				All units inches unless stated otherwise
<input type="checkbox"/> APPROVED WITH NOTED CHANGES. CONSTRUCTION WILL BE SCHEDULED WHEN SIGNED DRAWING AND CONFIRMED ORDER ARE RECEIVED.		Phone: 870-735-4473		
SIGNATURE: _____ DATE: _____		<b>DESCRIPTION:</b> 2000 GALLON 64" I.D. x 12'-0" O.A.L. SINGLE WALL AGRICULTURAL BRACKET TANK		
*All pages of this Schedule A are incorporated by reference and are a part of the additional terms of the Master Terms & Conditions of Sale. www.newberrytanks.com/masterterms.pdf		CUSTOMER: -		P.O.#: -
DATE: 03/14/23	SCALE:	DWG.# NB02000FTB06407G	DRAWN BY: WR SHEET 1 OF 1	