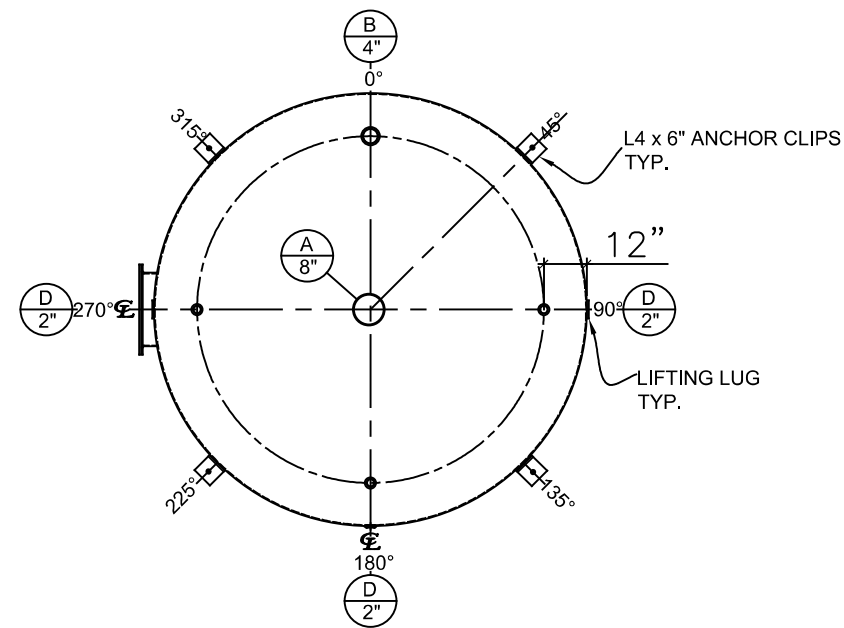


FRONT VIEW

NOZZLE SCHEDULE								
ITEM	SIZE	RATING	TYPE	MATL	PROJ. IN	PROJ. OUT	REMARKS	NOTES
A	8"	N.P.T.	H. CPL.	C.S.	STD.	STD.	-	EMERGENCY VENT OPENING
B	4"	N.P.T.	CPL.	C.S.	STD.	STD.	-	-
C	2"	N.P.T.	W.F.	C.S.	STD.	STD.	-	-
D	2"	N.P.T.	CPL.	C.S.	STD.	STD.	-	-
E	24"	N.P.T.	MANWAY	C.S.	STD.	STD.	TIGHT BOLTED	DOUBLE PUNCHED



PLAN VIEW

NOTES:

- A. Quantity:
- B. Material: H.R. Carbon Steel.
- C. Design Pressure: Atmospheric.
- D. Design Temperature: Ambient.
- E. Built & labeled per U.L. spec. #142.
- F. Exterior: one coat gray primer.
- G. All fittings to be protected for shipment.
- H. Customer to verify nozzle sizes, locations and quantities.

*All pages of this Schedule A are incorporated by reference and are a part of the additional terms of the Master Terms & Conditions of Sale.
www.newberrytanks.com/masterterms.pdf

APPROVAL FOR CONSTRUCTION
 SCHEDULE A - MASTER TERMS &
 CONDITIONS OF SALE*

- APPROVED AS DRAWN.
 - APPROVED WITH NOTED CHANGES, CONSTRUCTION WILL BE SCHEDULED WHEN SIGNED DRAWING AND CONFIRMED ORDER ARE RECEIVED.
- SIGNATURE: _____
 DATE: _____

SALES ORDER#:



Phone: 870-735-4473 Fax: 870-735-3982

VESSEL DESCRIPTION:
 12,000 Gallon 120" I.D. x 20'-6" Shell Height Single Wall Vertical Tank

CUSTOMER:		P.O.#	
DATE:		DRAWN BY: WR	
SCALE:	DWG.#	CHKD. BY:	
	NB12000SWV12007G		