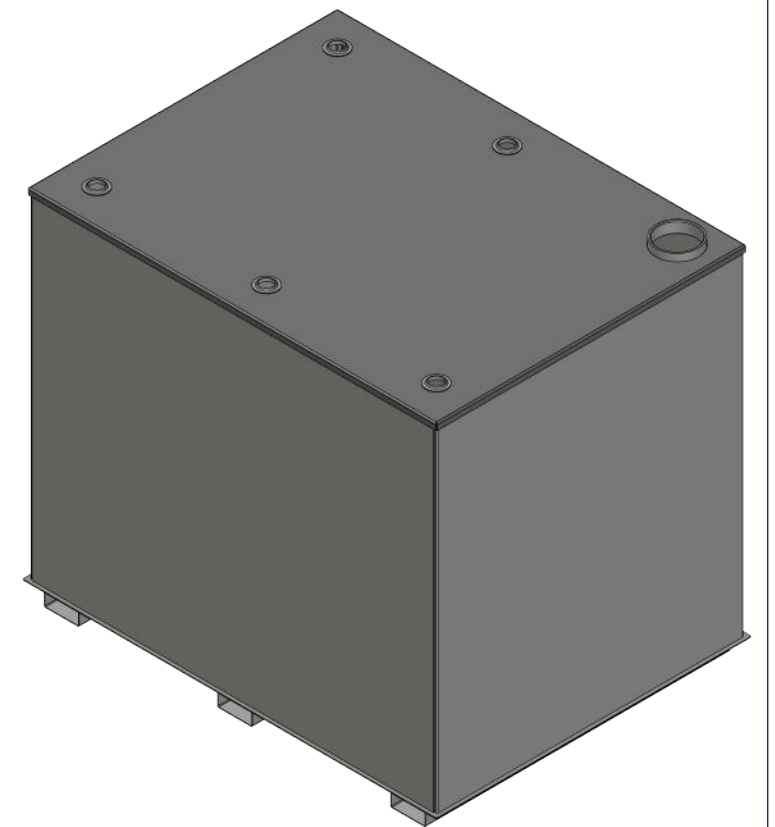
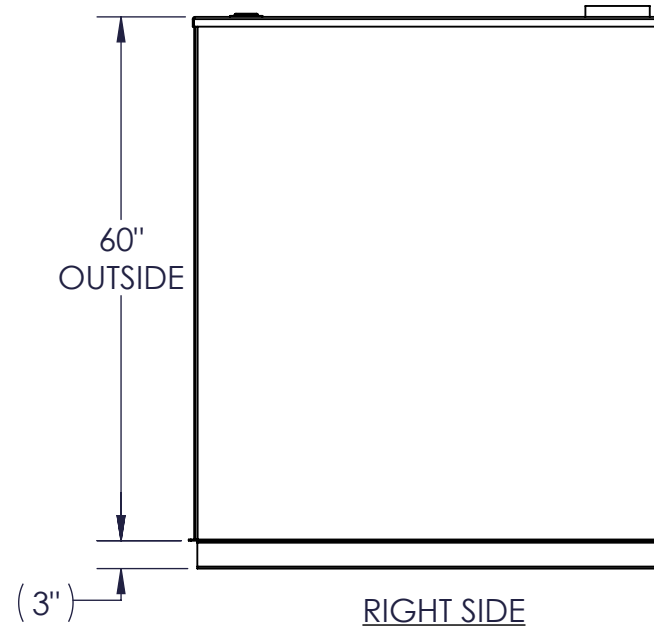
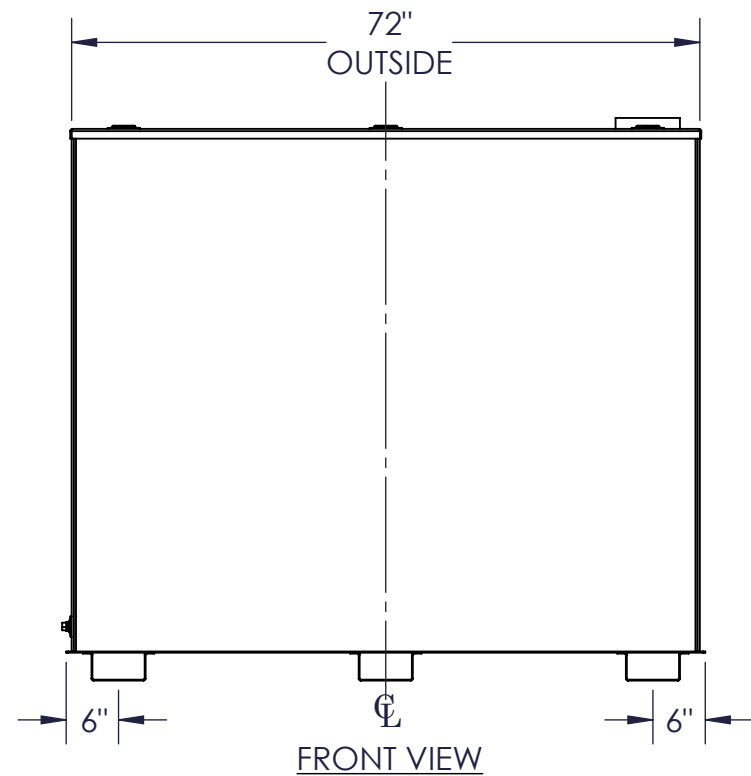
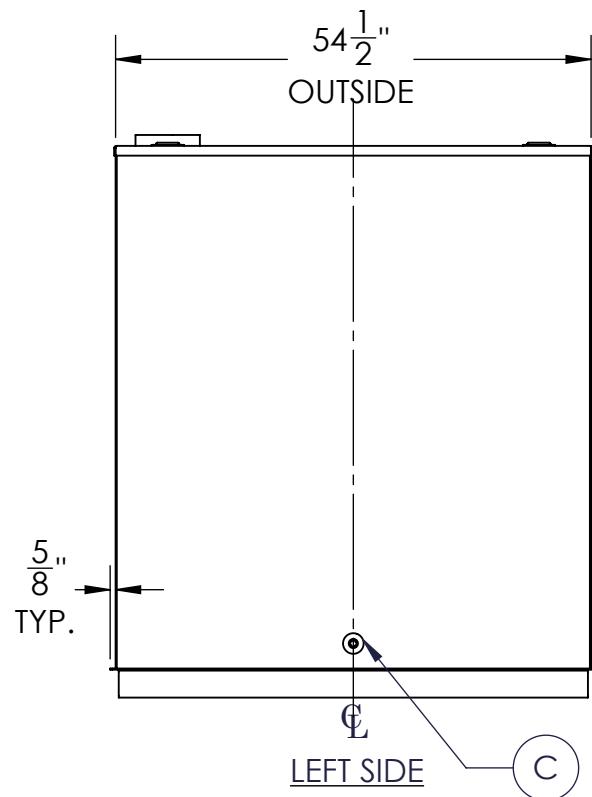


| NOZZLE SCHEDULE | | | | | | | |
|-----------------|------|--------|--------|------|---------|----------|------------------------|
| ITEM | SIZE | RATING | TYPE | MATL | PROJ IN | PROJ OUT | REMARKS |
| A | 6" | N.P.T. | H.CPL. | C.S. | STD. | STD. | EMERGENCY VENT OPENING |
| B | 2" | N.P.T. | W.F. | C.S. | STD. | STD. | |
| C | 3/4" | N.P.T. | W.F. | C.S. | STD. | STD. | DRAIN |



NOTES:

- A. MATERIAL: H.R. CARBON STEEL
- B. DESIGN & OPERATING PRESSURE: ATMOSPHERIC.
- C. DESIGN & OPERATING TEMPERATURE: AMBIENT.
- D. TANK TO BE BUILT & LABELED PER U.L. SPEC. #142.
- E. TANK TO BEAR MANUFACTURERS & U.L. LABELS ONLY.
- F. TANK TO BE AIR TESTED WITH WATER & SOAP SUDS SOLUTION.
- G. INTERIOR: REMOVE WELD SLAG (SHIP CLEAN & DRY).
- H. EXTERIOR: GRAY PRIMER INCLUDED; SEE SALES ORDER FOR TOP COAT.
- I. ALL FITTINGS TO BE PROTECTED FOR SHIPMENT.
- J. CUSTOMER HAS THE RESPONSIBILITY TO VERIFY ALL DIMENSIONS.

APPROVAL FOR CONSTRUCTION
SCHEDULE A - MASTER TERMS &
CONDITION OF SALE*

APPROVED AS DRAWN.

APPROVED WITH NOTED CHANGES,
CONSTRUCTION WILL BE SCHEDULED
WHEN SIGNED DRAWING AND
CONFIRMED ORDER ARE RECEIVED.

SIGNATURE: _____

DATE: _____

*All pages of this Schedule A are incorporated by
reference and are a part of the additional terms of
the Master Terms & Conditions of Sale.
www.newberrytanks.com/masterterms.pdf

| | | | |
|--|--------|----------------------|--|
| SALES ORDER: - | | | WEIGHT (LBS): 999 |
|  Newberry Tanks New Thinking Phone: 870-735-4473 | | | All units inches unless stated otherwise |
| DESCRIPTION: 1000 GALLON RECTANGULAR UL 142 SINGLE WALL TANK | | | |
| CUSTOMER: | | | P.O.# |
| DATE: 2/8/2023 | SCALE: | DWG.# FTSBSW-1000 | DRAWN BY: AJC CHKD BY: _____ |