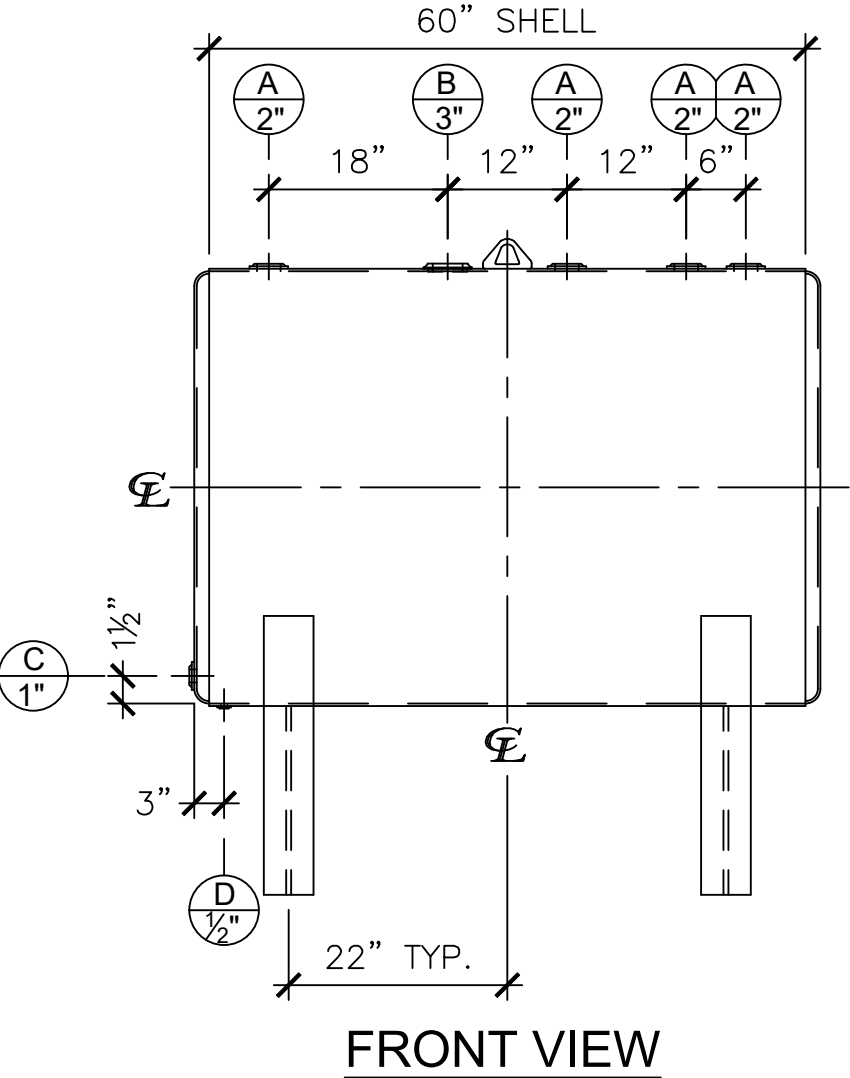
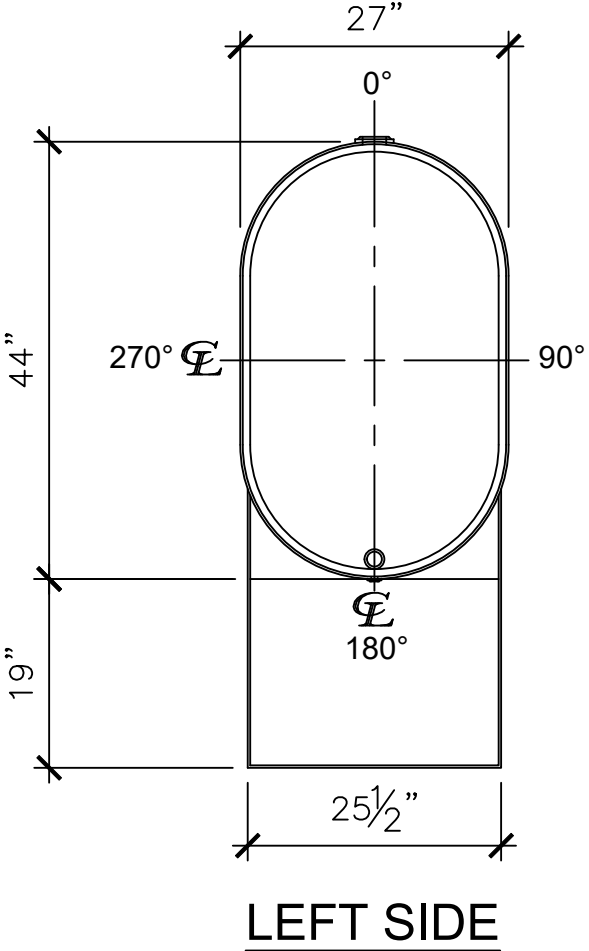


NOZZLE SCHEDULE

| ITEM | SIZE | RATING | TYPE | MATL | REMARKS | NOTES |
|------|------|--------|------|------|---------|----------------|
| A | 2" | N.P.T. | W.F. | C.S. | | |
| B | 3" | N.P.T. | W.F. | C.S. | | EMERGENCY VENT |
| C | 1" | N.P.T. | W.F. | C.S. | | |
| D | 1/2" | N.P.T. | W.F. | C.S. | | DRAIN |



NOTES:

- A. Material: H.R. Carbon Steel.
- B. Design Pressure: Atmospheric.
- C. Design Temperature: Ambient.
- D. Exterior: One coat gray primer.
- E. All Fittings to be protected for shipment.
- F. Customer to verify nozzle sizes, locations and quantities.

APPROVAL FOR CONSTRUCTION
 SCHEDULE A - MASTER TERMS &
 CONDITION OF SALE*

APPROVED AS DRAWN.

APPROVED WITH NOTED CHANGES.
 CONSTRUCTION WILL BE SCHEDULED
 WHEN SIGNED DRAWING AND
 CONFIRMED ORDER ARE RECEIVED.

SIGNATURE: _____

DATE: _____

*All pages of this Schedule A are incorporated by
 reference and are a part of the additional terms of
 the Master Terms & Conditions of Sale.
 www.newberrytanks.com/masterterms.pdf

| | | |
|---------------------------------------|--------|--|
| SALES ORDER: | | WEIGHT (LBS): 390 |
| | | All units inches unless stated otherwise |
| Phone: 870-735-4473 | | |
| DESCRIPTION: | | |
| 275 Gallon Basement Tank w/ 19" Riser | | |
| CUSTOMER: | P.O.# | |
| - | - | |
| DATE: | SCALE: | DWG.# |
| 02/08/23 | | NB00275BMT019024 |
| | | DRAWN BY: WR |
| | | SHEET 1 OF 1 |