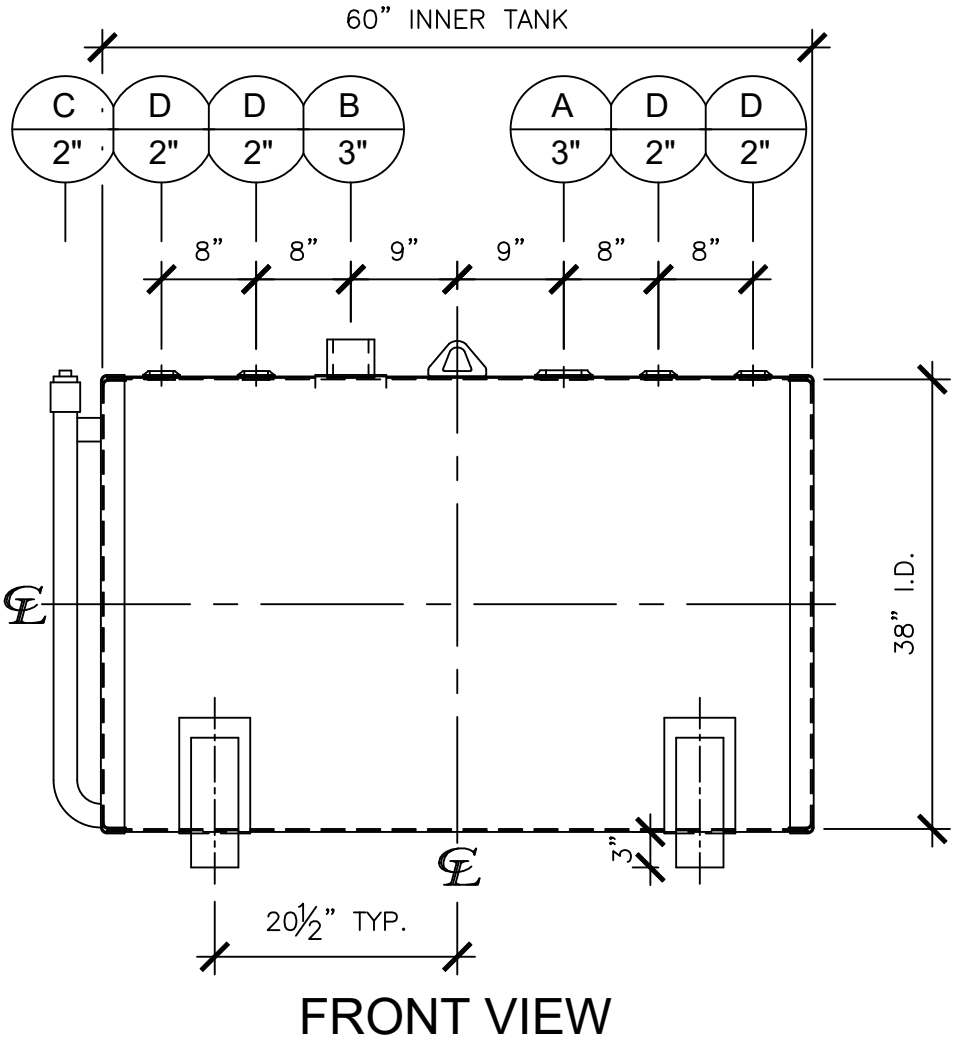
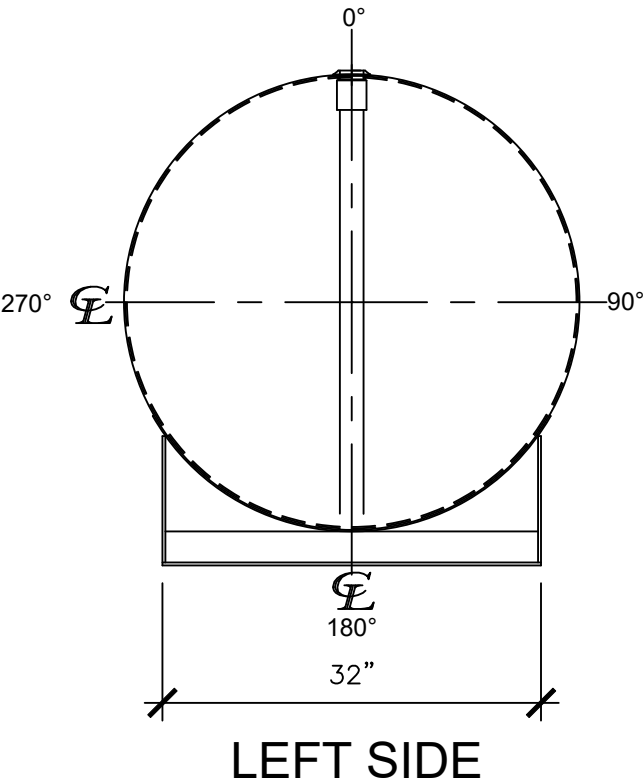


NOZZLE SCHEDULE

ITEM	SIZE	RATING	TYPE	MATL	REMARKS	NOTES
A	3"	N.P.T.	W.F.	C.S.	PRIMARY	EMERGENCY VENT OPENING
B	3"	N.P.T.	H.CPL.	C.S.	SECONDARY	EMERGENCY VENT OPENING
C	2"	N.P.T.	PIPE	C.S.		MONITORING PORT
D	2"	N.P.T.	W.F.	C.S.		



- NOTES:**
- A. Material: H.R. Carbon Steel.
 - B. Design Pressure: Atmospheric.
 - C. Design Temperature: Ambient.
 - D. Built & Labeled per U.L. Spec. #142.
 - E. Exterior: Gray primer included; see Sales Order for top coat.
 - F. All Fittings to be protected for shipment.
 - G. Customer to verify nozzle sizes, locations, and quantities.
 - H. Saddles/skids may require shimming or grouting during installation.

APPROVAL FOR CONSTRUCTION SCHEDULE A - MASTER TERMS & CONDITION OF SALE*		SALES ORDER: -		WEIGHT (LBS): 775	
<input type="checkbox"/> APPROVED AS DRAWN.		Phone: 870-735-4473		All units inches unless stated otherwise	
<input type="checkbox"/> APPROVED WITH NOTED CHANGES. CONSTRUCTION WILL BE SCHEDULED WHEN SIGNED DRAWING AND CONFIRMED ORDER ARE RECEIVED.				DESCRIPTION: 300 GALLON 38" I.D. x 5'-0" O.A.L. DOUBLE WALL BRACKET TANK	
SIGNATURE: _____ DATE: _____		CUSTOMER: -		P.O.# -	
*All pages of this Schedule A are incorporated by reference and are a part of the additional terms of the Master Terms & Conditions of Sale. www.newberrytanks.com/masterterms.pdf		DATE: -	SCALE:	DWG.# NB00300DWB03812G	DRAWN BY: WR SHEET 1 OF 1

This drawing may contain CONFIDENTIAL information and is intended only for the use of the specific individual(s) to which it is addressed.