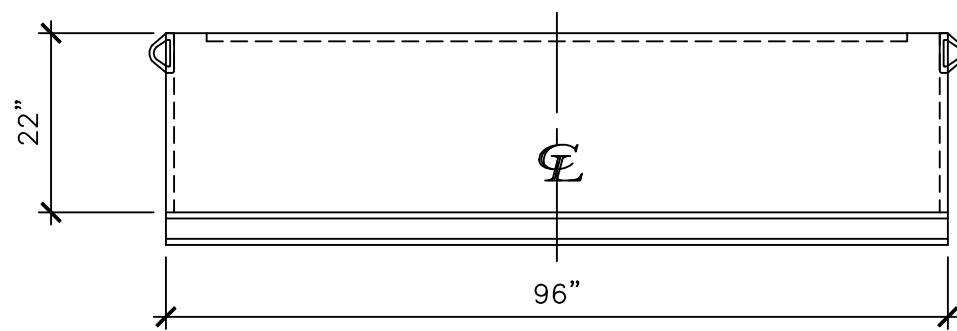
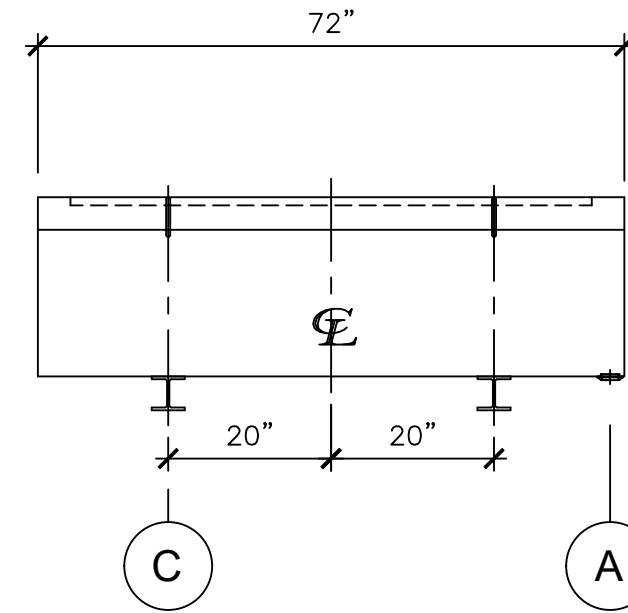


PLAN VIEW



FRONT VIEW

ITEM	QTY	DESCRIPTION
A	1	2" WELD FLANGE
B	4	LIFTING LUG
C	2	W4 x 13# x 96"



RIGHT SIDE

NOTES:

- A. Material: H.R. Carbon Steel.
- B. Exterior: One coat gray primer.

APPROVAL FOR CONSTRUCTION SCHEDULE A - MASTER TERMS & CONDITION OF SALE*		SALES ORDER: -		WEIGHT (LBS): 862	
<input type="checkbox"/> APPROVED AS DRAWN.				All units inches unless stated otherwise	
<input type="checkbox"/> APPROVED WITH NOTED CHANGES. CONSTRUCTION WILL BE SCHEDULED WHEN SIGNED DRAWING AND CONFIRMED ORDER ARE RECEIVED.				Phone: 870-735-4473 Fax: 870-735-3982	
SIGNATURE: _____		DESCRIPTION: Containment Dike For 550 Gallon Tank			
DATE: _____		CUSTOMER: -		P.O.#: -	
<small>*All pages of this Schedule A are incorporated by reference and are a part of the additional terms of the Master Terms & Conditions of Sale. www.newberrytanks.com/masterterms.pdf</small>		DATE: 03/13/23	SCALE:	DWG.# NB00550CNT072022	DRAWN BY: WR SHEET 1 OF 1