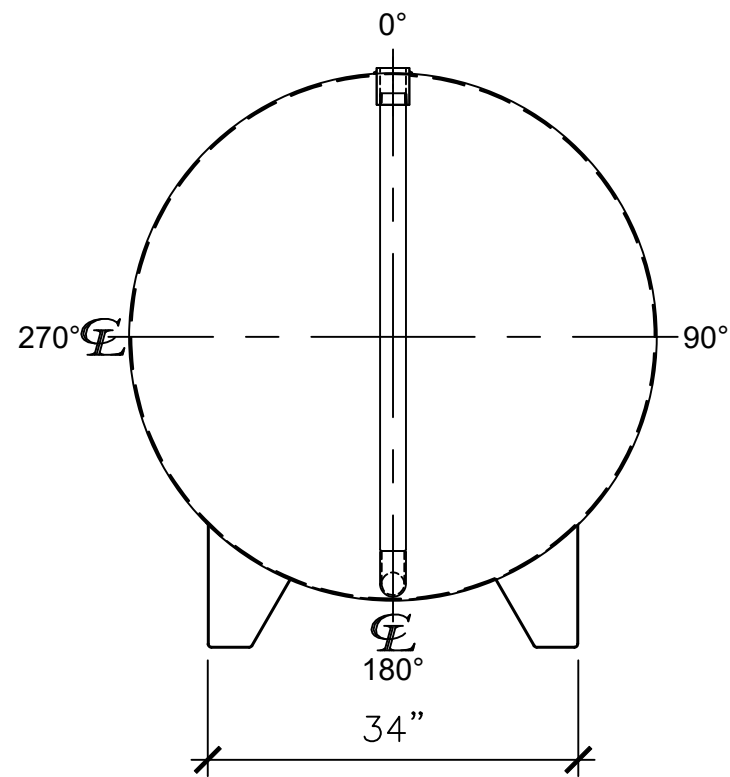
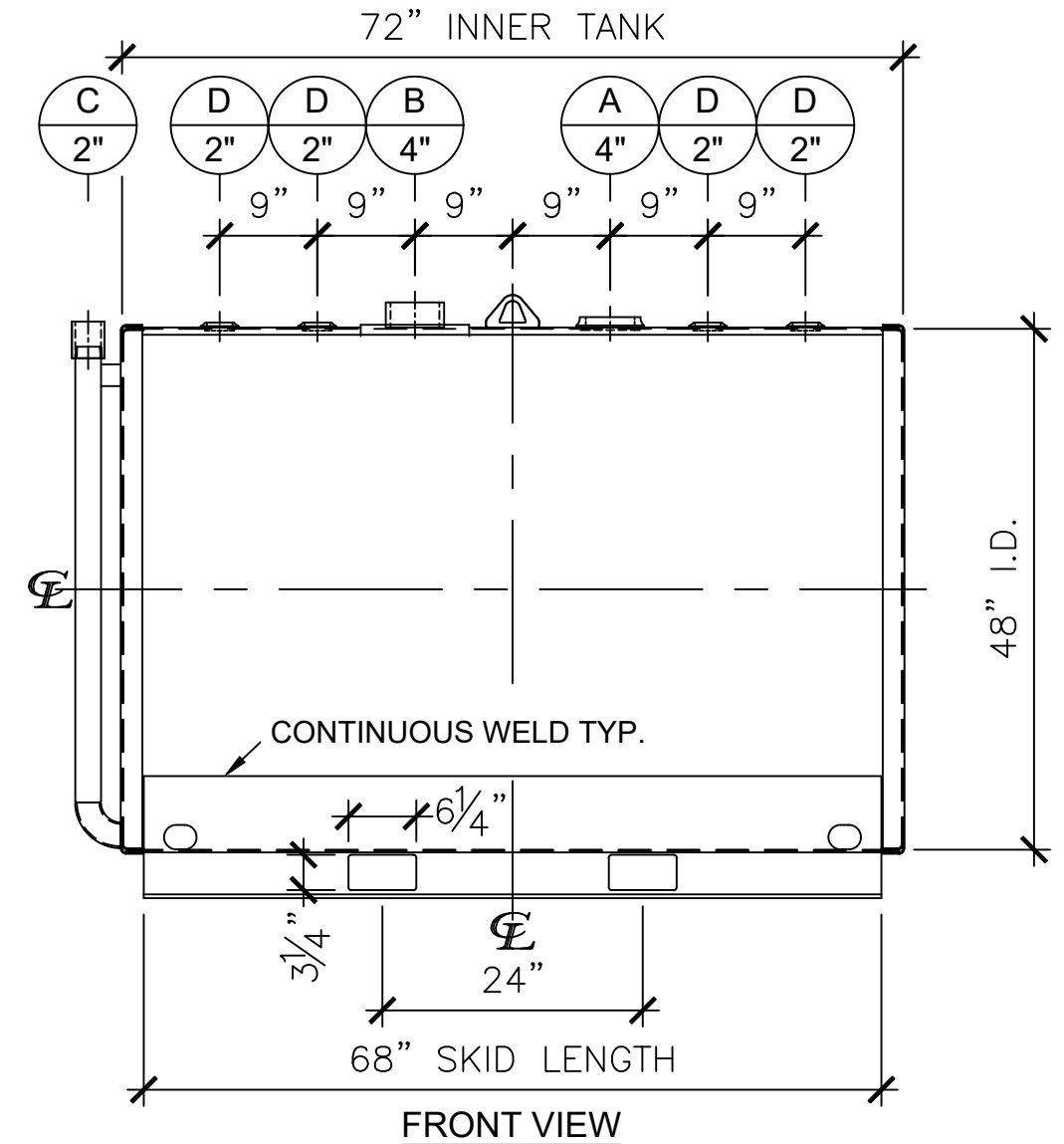


NOZZLE SCHEDULE

ITEM	SIZE	RATING	TYPE	MATL	REMARKS	NOTES
A	4"	NPT	W.F.	C.S.	PRIMARY	EMERGENCY VENT OPENING
B	4"	NPT	H.CPL.	C.S.	SECONDARY	EMERGENCY VENT OPENING
C	2"	NPT	PIPE	C.S.	-	INTERSTICE MONITOR
D	2"	NPT	W.F.	C.S.	-	-



LEFT SIDE



FRONT VIEW

NOTES:

- A. Material: H.R. Carbon Steel.
- B. Design Pressure: Atmospheric.
- C. Design Temperature: Ambient.
- D. Built & Labeled per UL 142.
- E. Exterior: Gray primer included; see Sales Order for top coat.
- F. All Fittings to be protected for shipment.
- G. Customer to verify Nozzle sizes, locations, and quantities.
- H. Saddles/Skids may require shimming or grouting during installation.

APPROVAL FOR CONSTRUCTION
SCHEDULE A - MASTER TERMS &
CONDITION OF SALE*

- APPROVED AS DRAWN.
- APPROVED WITH NOTED CHANGES.
CONSTRUCTION WILL BE SCHEDULED
WHEN SIGNED DRAWING AND
CONFIRMED ORDER ARE RECEIVED.

SIGNATURE: _____

DATE: _____

*All pages of this Schedule A are incorporated by
reference and are a part of the additional terms of
the Master Terms & Conditions of Sale.
www.newberrytanks.com/masterterms.pdf

SALES ORDER:



Phone: 870-735-4473

WEIGHT (LBS): 925

All units inches
unless stated
otherwise

DESCRIPTION:
**550 GALLON 48" I.D. x 6'-0" O.A.L.
DOUBLE WALL SKID TANK**

CUSTOMER: -	P.O.# -
DATE: 12/03/25	SCALE: -
DWG.# NB00550DWS048	DRAWN BY: WJR
	SHEET 1 OF 1