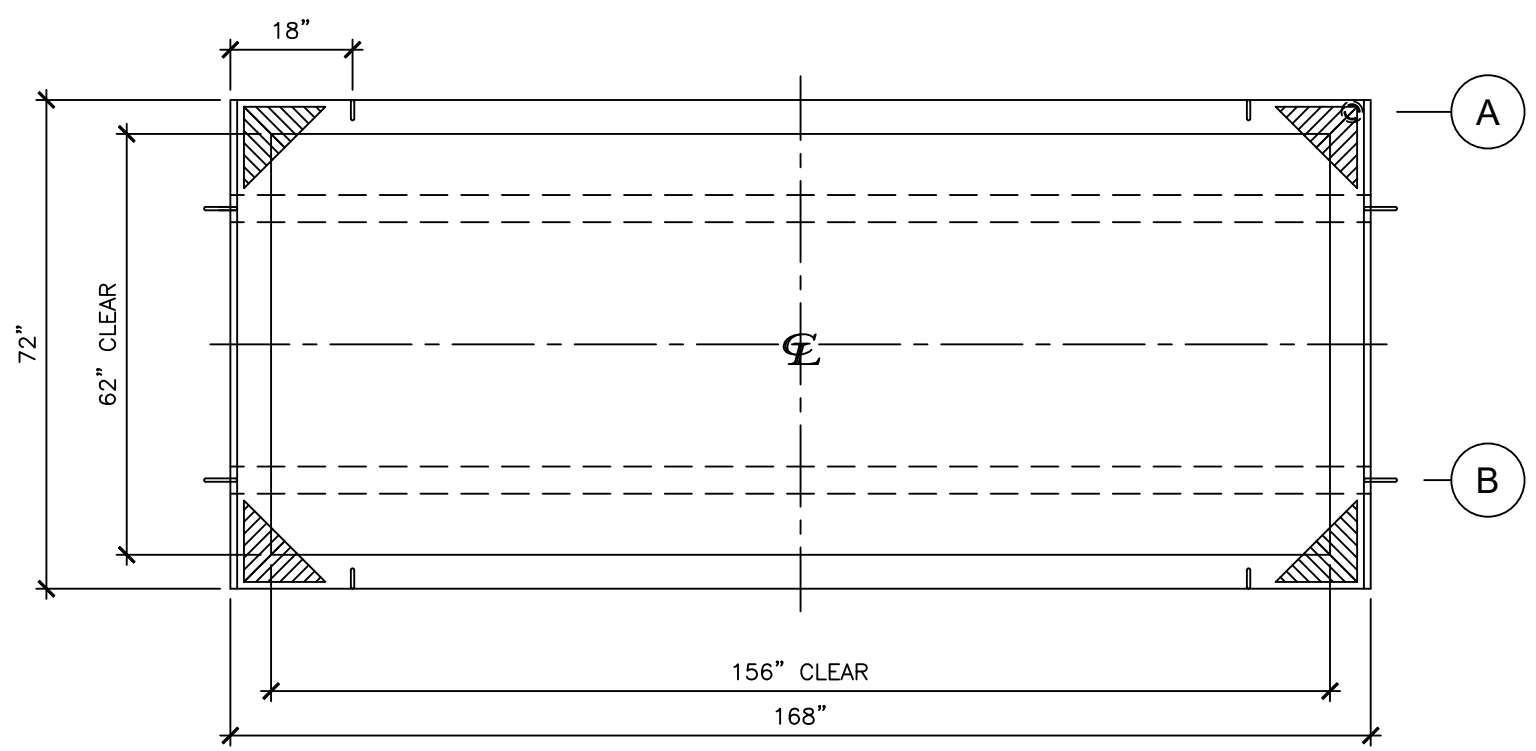
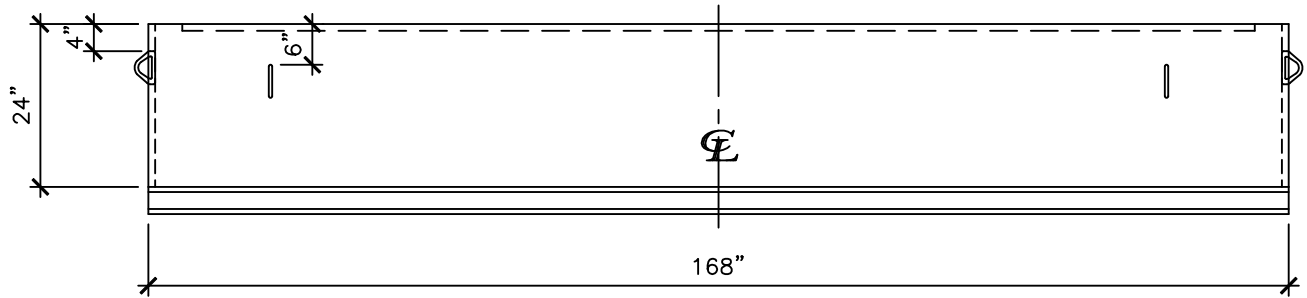


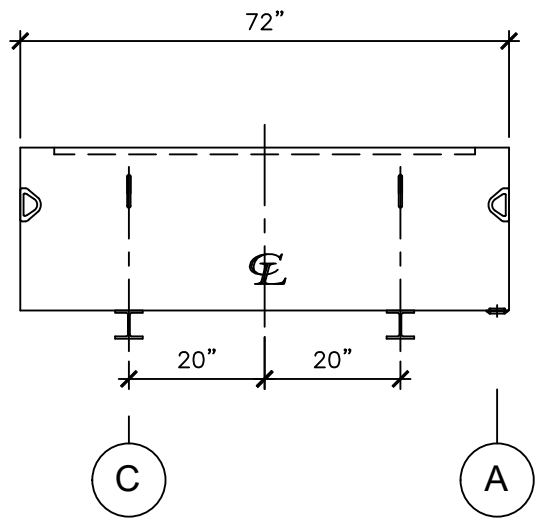
ITEM	QTY	DESCRIPTION
A	1	2" WELD FLANGE
B	8	LIFTING LUG
C	2	W4 x 13# x 168"



PLAN VIEW



FRONT VIEW



RIGHT SIDE

- NOTES:**
- A. Material: H.R. Carbon Steel.
  - B. Exterior: One coat gray primer.

APPROVAL FOR CONSTRUCTION  
SCHEDULE A - MASTER TERMS &  
CONDITION OF SALE\*

APPROVED AS DRAWN.

APPROVED WITH NOTED CHANGES.  
CONSTRUCTION WILL BE SCHEDULED  
WHEN SIGNED DRAWING AND  
CONFIRMED ORDER ARE RECEIVED.

SIGNATURE: \_\_\_\_\_

DATE: \_\_\_\_\_

\*All pages of this Schedule A are incorporated by  
reference and are a part of the additional terms of  
the Master Terms & Conditions of Sale.  
www.newberrytanks.com/masterterms.pdf

SALES ORDER: -		WEIGHT (LBS): 1620
		All units inches unless stated otherwise
Phone: 870-735-4473 Fax: 870-735-3982		
DESCRIPTION: <b>Containment Dike For 1000 Gallon Tank</b>		
CUSTOMER: -		P.O.# -
DATE: 03/27/23	SCALE:	DWG.# NB01000CNT072024
		DRAWN BY: WR SHEET 1 OF 1