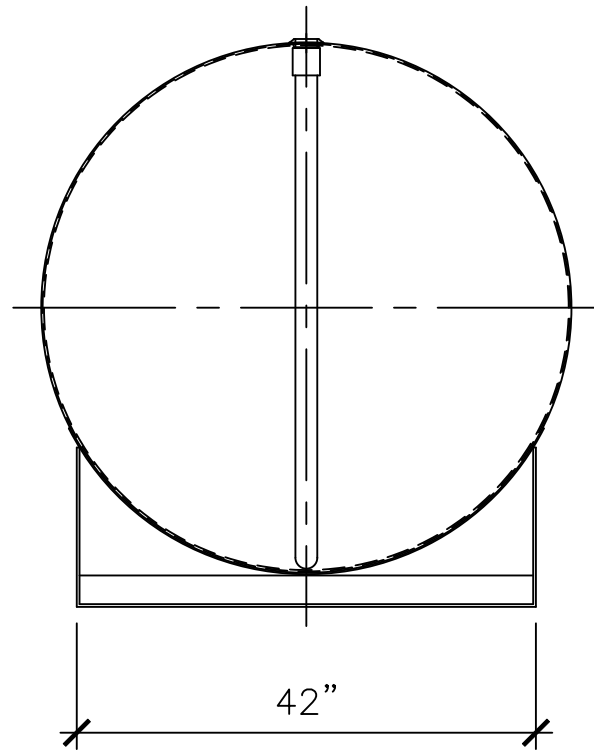
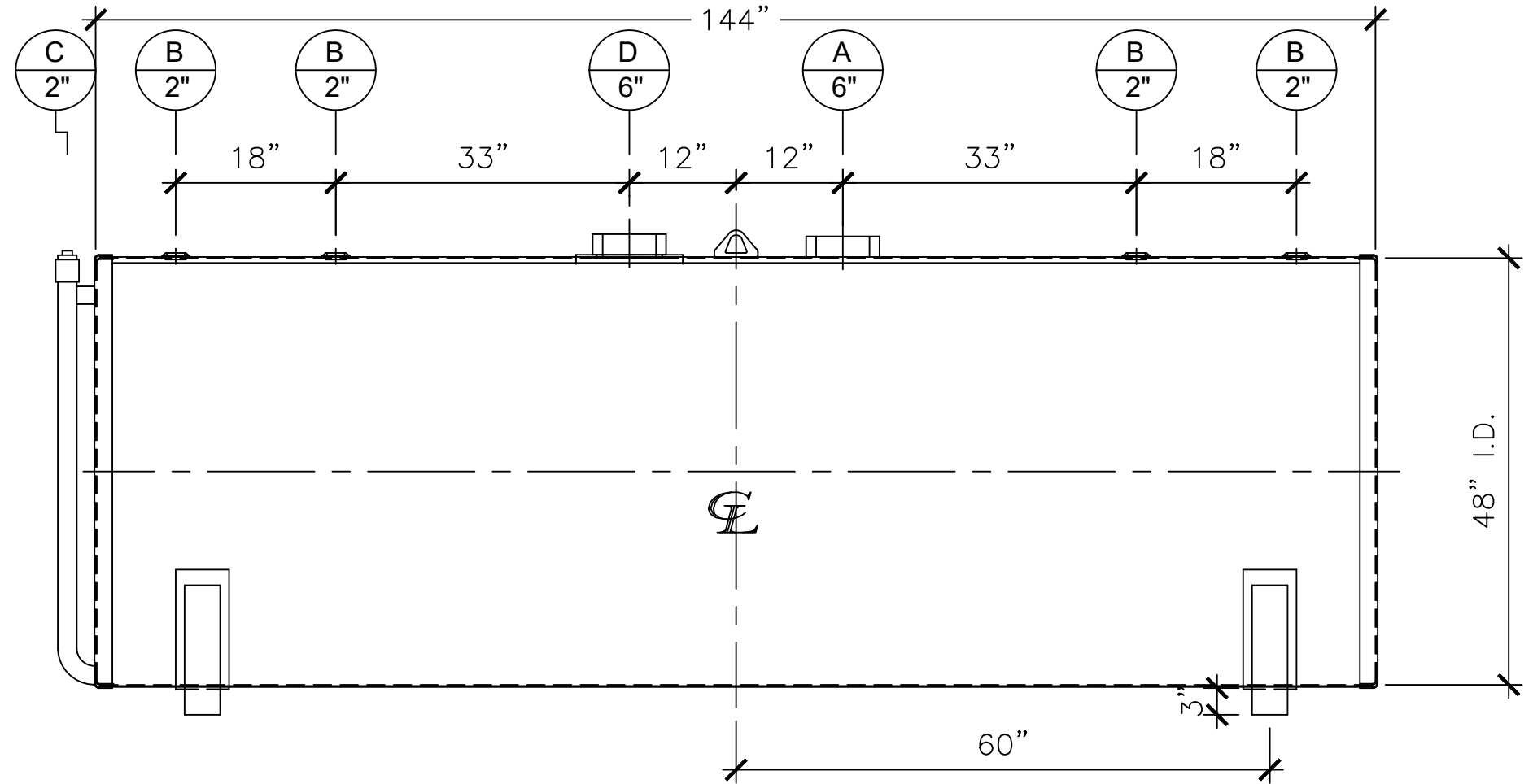


NOZZLE SCHEDULE

ITEM	SIZE	RATING	TYPE	MATL	REMARKS	NOTES
A	6"	N.P.T.	H.CPL.	C.S.	PRIMARY	EMERGENCY VENT OPENING
B	2"	N.P.T.	W.F.	C.S.	-	-
C	2"	N.P.T.	PIPE	C.S.	-	INTERSTICE MONITOR
D	6"	N.P.T.	H.CPL.	C.S.	SECONDARY	EMERGENCY VENT OPENING



LEFT SIDE



FRONT VIEW

NOTES:

- A. Material: H.R. Carbon Steel.
- B. Design Pressure: Atmospheric.
- C. Design Temperature: Ambient.
- D. Built & Labeled per U.L. Spec. #142.
- E. Exterior: Gray primer included; see Sales Order for top coat.
- F. All Fittings to be protected for shipment.
- G. Customer to verify nozzle sizes, locations, and quantities.
- H. Saddles/skids may require shimming or grouting during installation.

APPROVAL FOR CONSTRUCTION
SCHEDULE A - MASTER TERMS &
CONDITION OF SALE*

APPROVED AS DRAWN.

APPROVED WITH NOTED CHANGES,
CONSTRUCTION WILL BE SCHEDULED
WHEN SIGNED DRAWING AND
CONFIRMED ORDER ARE RECEIVED.

SIGNATURE: _____

DATE: _____

*All pages of this Schedule A are incorporated by
reference and are a part of the additional terms of
the Master Terms & Conditions of Sale.
www.newberrytanks.com/masterterms.pdf

SALES ORDER: -		WEIGHT (LBS): 2150
		All units inches unless stated otherwise
		Phone: 870-735-4473
DESCRIPTION: 1100 GALLON 48" I.D. X 12'-0" O.A.L. DOUBLE WALL BRACKET TANK		
CUSTOMER: _____		P.O.#: _____
DATE: 03/14/23	SCALE: _____	DWG.#: NB01100DWB04810G
		DRAWN BY: WR
		SHEET 1 OF 1