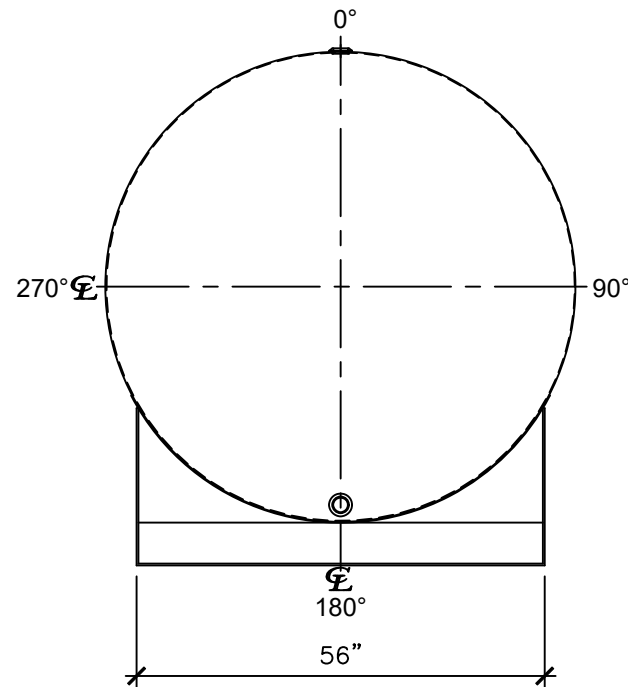
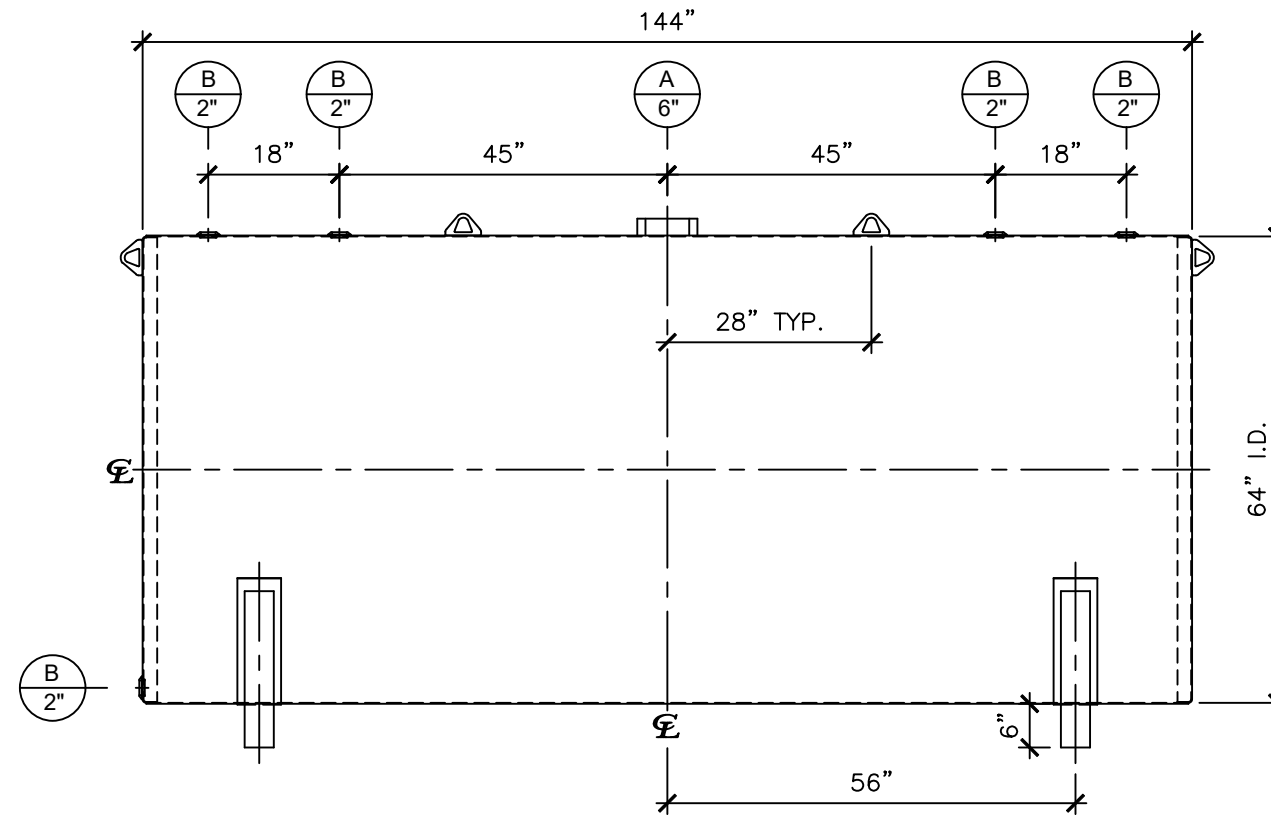


**NOZZLE SCHEDULE**

ITEM	SIZE	RATING	TYPE	MATL	REMARKS	NOTES
A	6"	N.P.T.	H.CPL.	C.S.	-	EMERGENCY VENT OPENING
B	2"	N.P.T.	W.F.	C.S.	-	-




**LEFT SIDE**



**FRONT VIEW**

**NOTES:**

- A. Material: H.R. Carbon Steel.
- B. Design Pressure: Atmospheric.
- C. Design Temperature: Ambient.
- D. Built & Labeled per U.L. #142.
- E. Exterior: Gray primer included; see Sales Order for top coat.
- F. All Fittings to be protected for shipment.
- G. Customer to verify Nozzle sizes, locations, and quantities.
- H. Saddles/Skids may require shimming or grouting during installation.

APPROVAL FOR CONSTRUCTION SCHEDULE A - MASTER TERMS & CONDITION OF SALE*		<b>SALES ORDER:</b>		WEIGHT (LBS): 2200
<input type="checkbox"/> APPROVED AS DRAWN.  <input type="checkbox"/> APPROVED WITH NOTED CHANGES, CONSTRUCTION WILL BE SCHEDULED WHEN SIGNED DRAWING AND CONFIRMED ORDER ARE RECEIVED.		 Phone: 870-735-4473		
SIGNATURE: _____  DATE: _____		DESCRIPTION: <b>2,000 GALLON 64" I.D. x 12'-0" O.A.L. SINGLE WALL                  BRACKET TANK</b>		
*All pages of this Schedule A are incorporated by reference and are a part of the additional terms of the Master Terms & Conditions of Sale. www.newberrytanks.com/masterterms.pdf		CUSTOMER: -		P.O.#: -
DATE: 10/15/24	SCALE:	DWG.# <b>NB02000SWB06407G</b>	DRAWN BY: WR SHEET 1 OF 1	

This drawing may contain CONFIDENTIAL information and is intended only for the use of the specific individual(s) to which it is addressed.