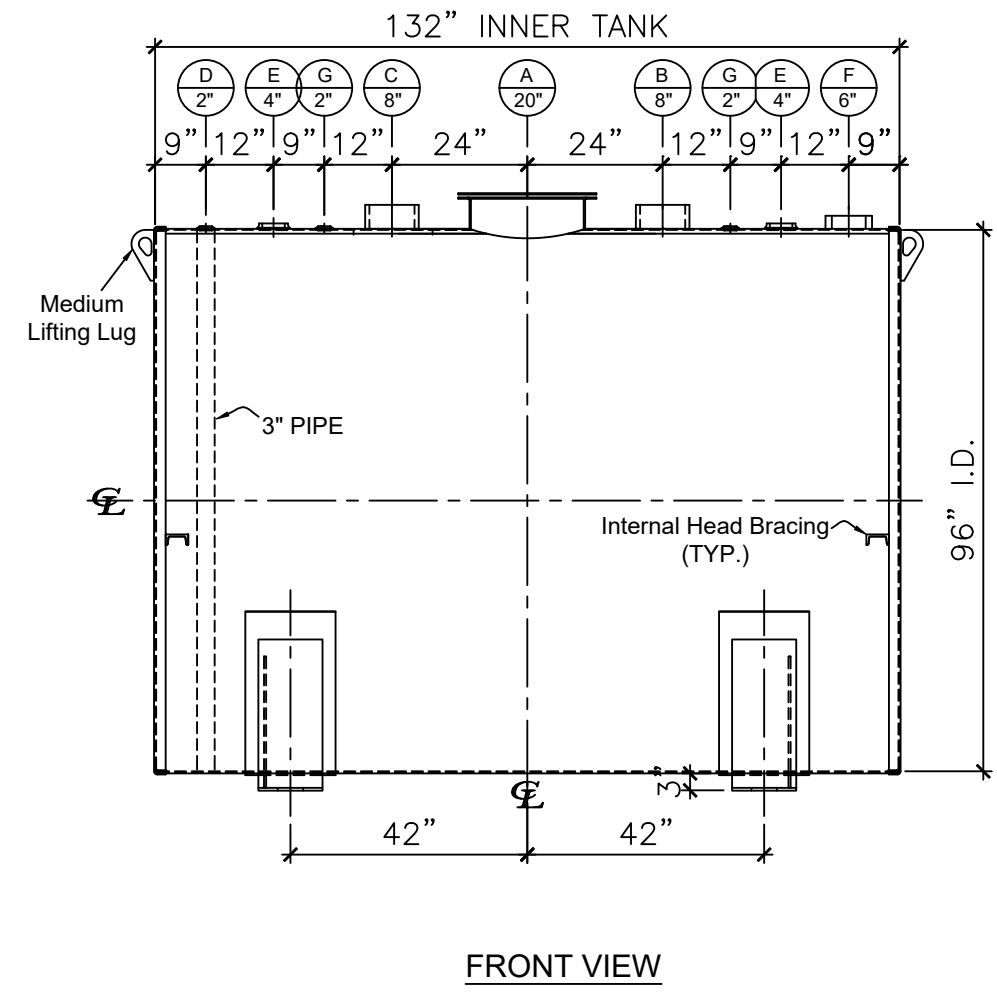
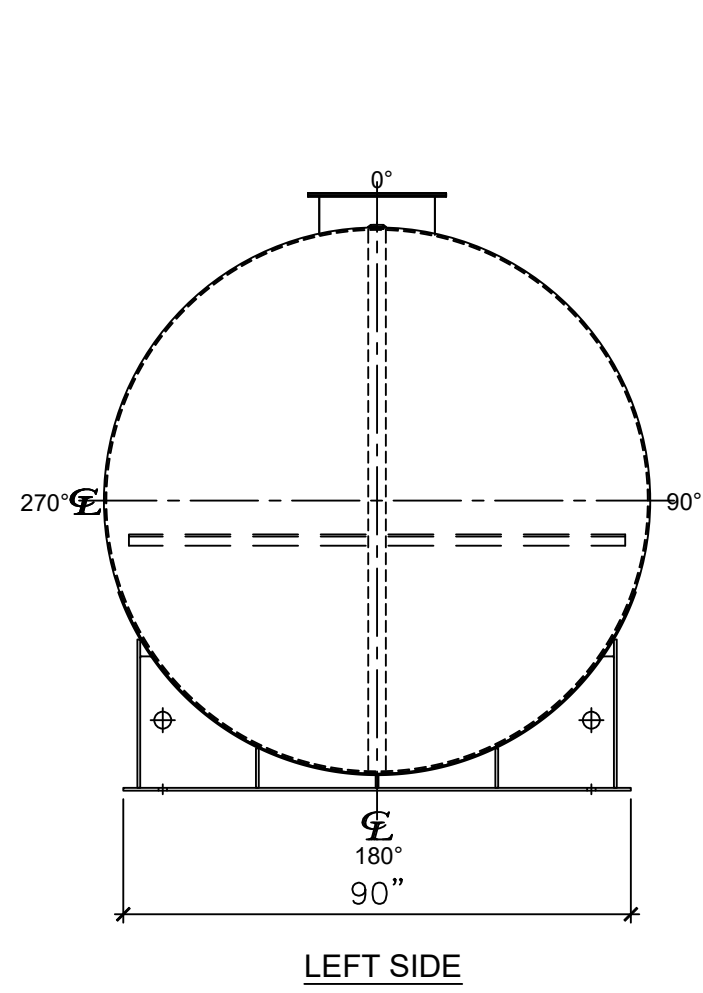


NOZZLE SCHEDULE						
ITEM	SIZE	RATING	TYPE	MATL	REMARKS	NOTES
A	20"	U.L.	M.W.	C.S.	SINGLE PUNCHED	TIGHT BOLTED
B	8"	N.P.T.	H. CPL.	C.S.	PRIMARY	EMERGENCY VENT OPENING
C	8"	N.P.T.	H. CPL.	C.S.	SECONDARY	EMERGENCY VENT OPENING
D	2"	N.P.T.	M.F.	C.S.	-	MONITORING PORT
E	4"	N.P.T.	W.F.	C.S.	-	-
F	6"	N.P.T.	H.CPL.	C.S.	-	-
G	2"	N.P.T.	W.F.	C.S.	-	-



- NOTES:**
- A. Material: H.R. Carbon Steel.
 - B. Design Pressure: Atmospheric.
 - C. Design Temperature: Ambient.
 - D. Built & Labeled per U.L. Spec. #142.
 - E. Exterior: Gray primer included; see Sales Order for top coat.
 - F. All Fittings to be protected for shipment.
 - G. Customer to verify nozzle sizes, locations, and quantities.
 - H. Saddles/skids may require shimming or grouting during installation.

APPROVAL FOR CONSTRUCTION
 SCHEDULE A - MASTER TERMS &
 CONDITION OF SALE*


APPROVED AS DRAWN.

APPROVED WITH NOTED CHANGES.
 CONSTRUCTION WILL BE SCHEDULED
 WHEN SIGNED DRAWING AND
 CONFIRMED ORDER ARE RECEIVED.

SIGNATURE: _____

DATE: _____

*All pages of this Schedule A are incorporated by reference and are a part of the additional terms of the Master Terms & Conditions of Sale. www.newberrytanks.com/masterterms.pdf

SALES ORDER: -		WEIGHT (LBS): 9950
		All units inches unless stated otherwise
Phone: 870-735-4473		
DESCRIPTION: 4000 GALLON 96" I.D. X 11'-0" O.A.L. DOUBLE WALL SADDLE TANK		
CUSTOMER: -		P.O.#: -
DATE: 10/10/22	SCALE:	DWG.#: NB04000DWB096250
		DRAWN BY: TC SHEET 1 OF 1

This drawing may contain CONFIDENTIAL information and is intended only for the use of the specific individual(s) to which it is addressed.