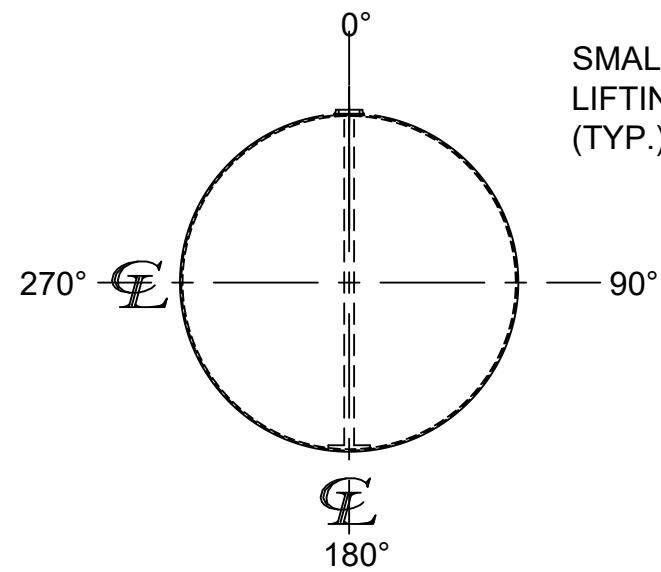
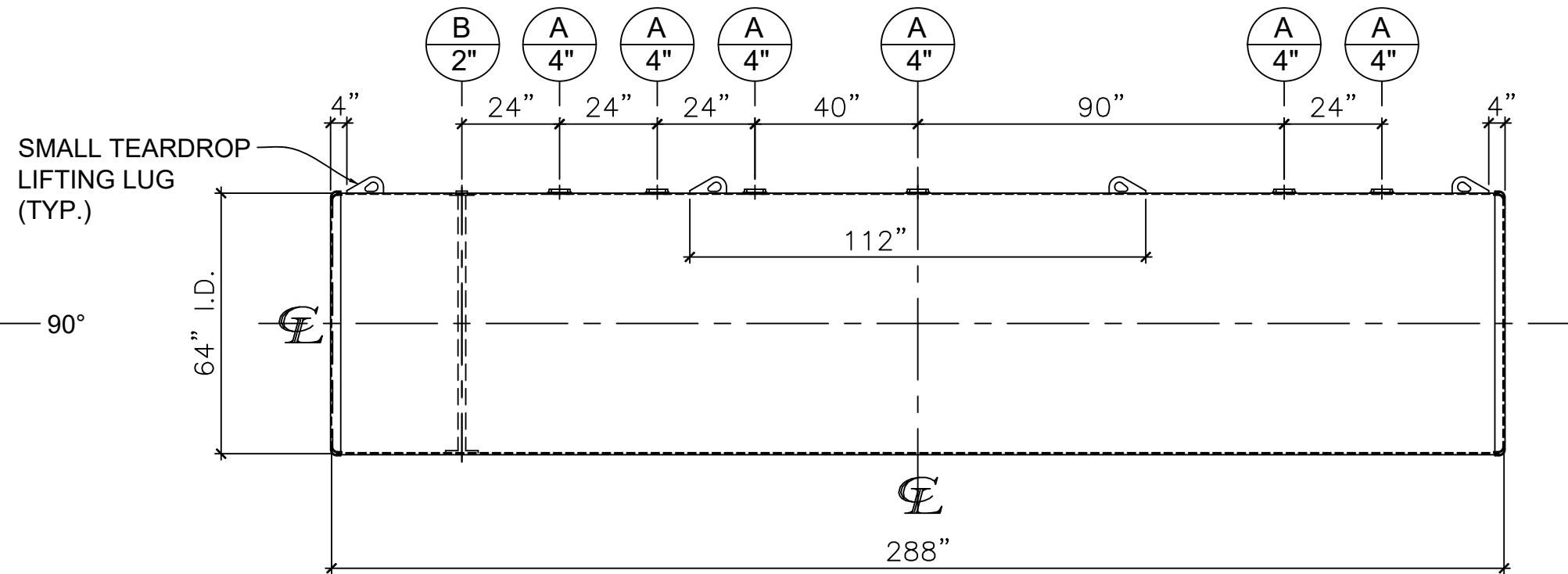


NOZZLE SCHEDULE

ITEM	SIZE	RATING	TYPE	MATL.	PROJ. IN	PROJ. OUT	REMARKS	NOTES
A	4"	N.P.T.	W.F.	C.S.	STD.	STD.	-	-
B	2"	N.P.T.	M.F.	C.S.	STD.	STD.	-	MONITORING PORT



LEFT SIDE



FRONT VIEW

NOTES:

- A. Quantity:
- B. Material: H.R. Carbon Steel.
- C. Design Pressure: Atmospheric.
- D. Design Temperature: Ambient.
- E. Built & labeled per U.L. #58 and #1746 Part 3.
- F. Exterior: Min. 100 mils FBG jacketed dual-wall Permatank®
- I. Seal welded striker plates under all openings.
- J. Integral lifting plugs provided.
- K. All fittings to be protected for shipment.
- L. Customer to verify nozzle sizes, locations and quantities.

*All pages of this Schedule A are incorporated by reference and are a part of the additional terms of the Master Terms & Conditions of Sale.
www.newberrytanks.com/masterterms.pdf

APPROVAL FOR CONSTRUCTION
 SCHEDULE A - MASTER TERMS &
 CONDITION OF SALE*

APPROVED AS DRAWN.

APPROVED WITH NOTED CHANGES.
 CONSTRUCTION WILL BE SCHEDULED
 WHEN SIGNED DRAWING AND
 CONFIRMED ORDER ARE RECEIVED.

SIGNATURE: _____

DATE: _____

*All pages of this Schedule A are incorporated by reference and are a part of the additional terms of the Master Terms & Conditions of Sale.
www.newberrytanks.com/masterterms.pdf

SALES ORDER: -		WEIGHT (LBS): 3,966	
		All units inches unless stated otherwise	
		Phone: 870-735-4473 Fax: 870-735-3982	
DESCRIPTION: 4000 Gallon 64" I.D. x 24'-0" O.A.L. Double Wall Permatank			
CUSTOMER:		P.O.#	
DATE: 10/10/2022	SCALE:	DWG # NB04000PRM06407G	DRAWN BY: SHEET 1 OF 1