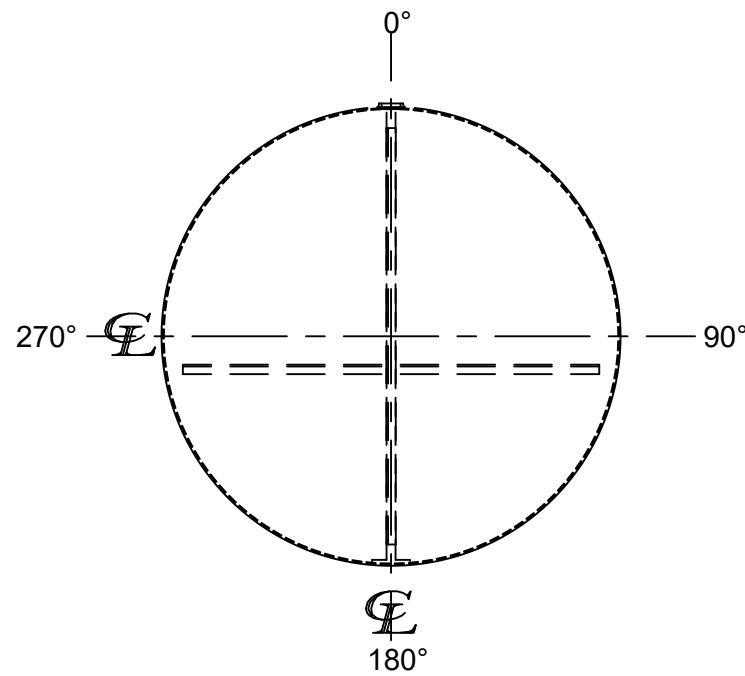
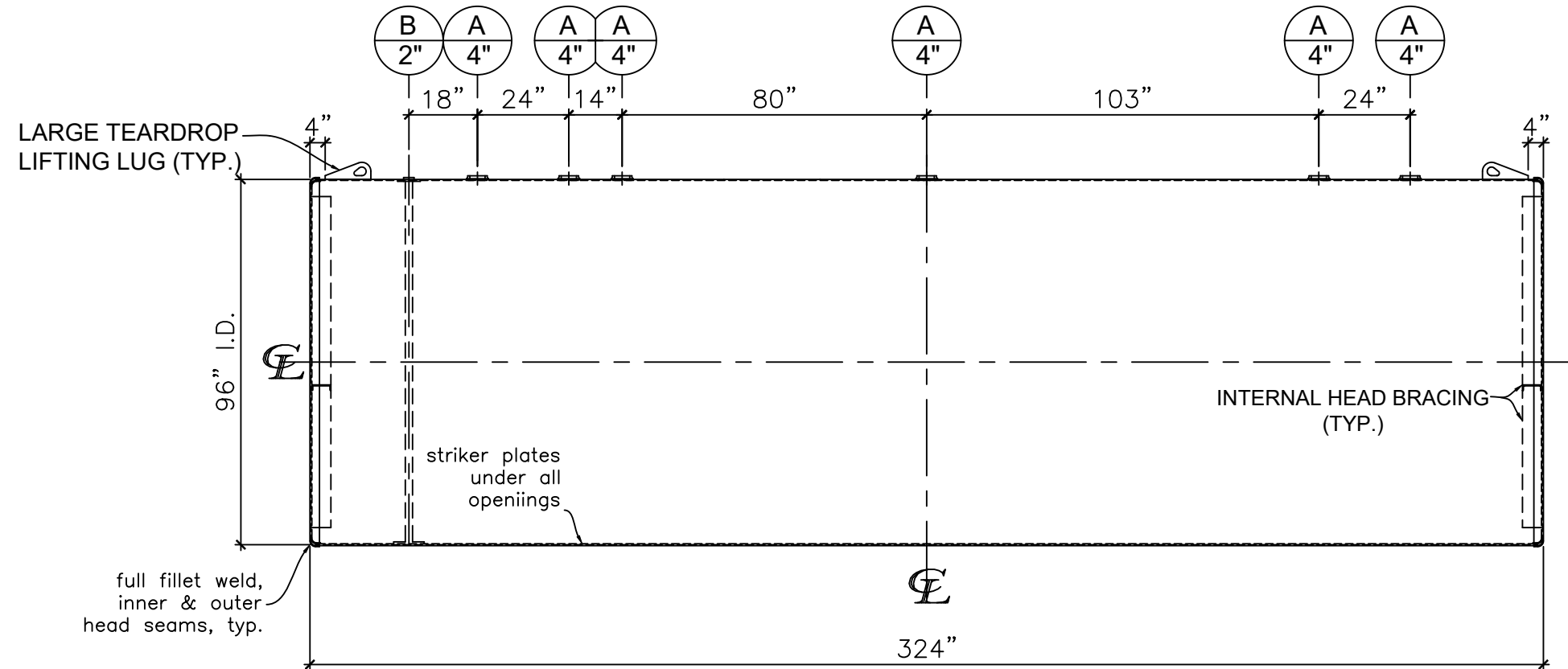


**NOZZLE SCHEDULE**

ITEM	SIZE	RATING	TYPE	MATL.	PROJ. IN	PROJ. OUT	REMARKS	NOTES
A	4"	N.P.T.	W.F.	C.S.	STD.	STD.	-	-
B	2"	N.P.T.	M.F.	C.S.	STD.	STD.	-	MONITORING PORT



**LEFT SIDE**



**FRONT VIEW**

**NOTES:**

- A. Quantity:
- B. Material: H.R. Carbon Steel.
- C. Design Pressure: Atmospheric.
- D. Design Temperature: Ambient.
- E. Built & labeled per U.L. #58 and #1746 Part 3.
- F. Exterior: Min.100 mils FBG jacketed dual-wall Permatank®
- I. Seal welded striker plates under all openings.
- J. Integral lifting plugs provided.
- K. All fittings to be protected for shipment.
- L. Customer to verify nozzle sizes, locations and quantities.

\*All pages of this Schedule A are incorporated by reference and are a part of the additional terms of the Master Terms & Conditions of Sale.  
[www.newberrytanks.com/masterterms.pdf](http://www.newberrytanks.com/masterterms.pdf)

APPROVAL FOR CONSTRUCTION  
 SCHEDULE A - MASTER TERMS &  
 CONDITION OF SALE\*

APPROVED AS DRAWN.

APPROVED WITH NOTED CHANGES.  
 CONSTRUCTION WILL BE SCHEDULED  
 WHEN SIGNED DRAWING AND  
 CONFIRMED ORDER ARE RECEIVED.

SIGNATURE: \_\_\_\_\_

DATE: \_\_\_\_\_

\*All pages of this Schedule A are incorporated by reference and are a part of the additional terms of the Master Terms & Conditions of Sale.  
[www.newberrytanks.com/masterterms.pdf](http://www.newberrytanks.com/masterterms.pdf)

SALES ORDER: -		WEIGHT (LBS): 9,324
		All units inches unless stated otherwise
Phone: 870-735-4473 Fax: 870-735-3982		
DESCRIPTION: 10,000 Gallon 96" I.D. x 27'-0" O.A.L. Double Wall Permatank		
CUSTOMER:		P.O.#
DATE: 10/10/2022	SCALE:	DWG # NB10000PRM096250
		DRAWN BY: SHEET 1 OF 1