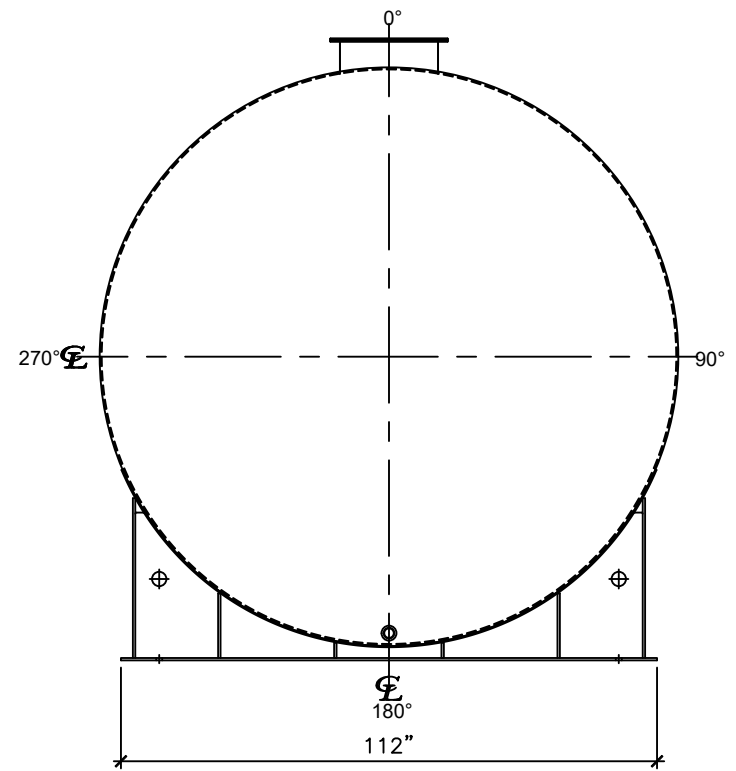
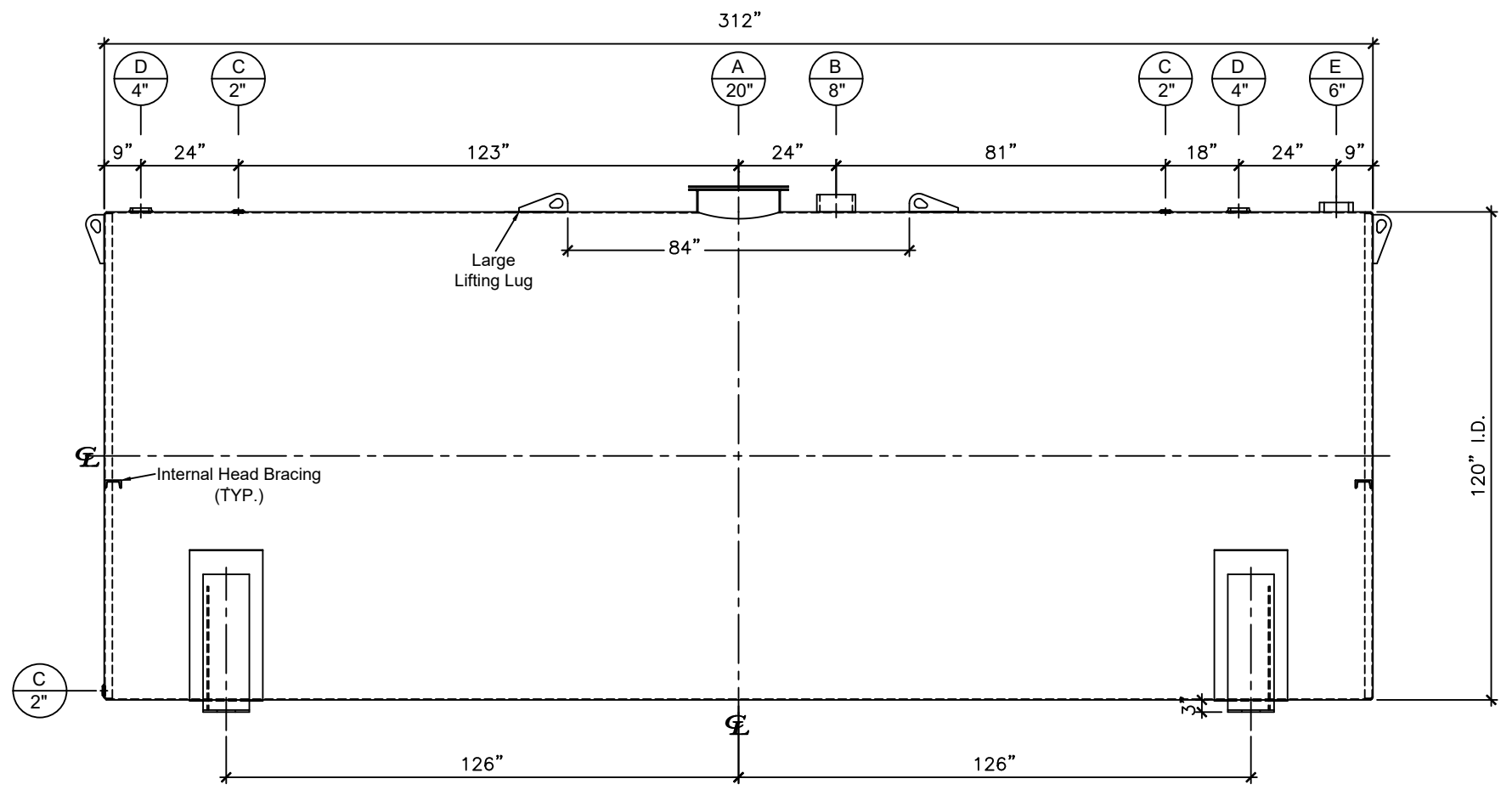


| NOZZLE SCHEDULE | | | | | | | | |
|-----------------|------|--------|---------|------|----------|-----------|------------------------|--------------|
| ITEM | SIZE | RATING | TYPE | MATL | PROJ. IN | PROJ. OUT | REMARKS | NOTES |
| A | 20" | U.L. | M.W. | C.S. | STD. | STD. | SINGLE PUNCHED | TIGHT BOLTED |
| B | 8" | N.P.T. | H. CPL. | C.S. | STD. | STD. | EMERGENCY VENT OPENING | - |
| C | 2" | N.P.T. | W.F. | C.S. | STD. | STD. | - | - |
| D | 4" | N.P.T. | W.F. | C.S. | STD. | STD. | - | - |
| E | 6" | N.P.T. | H.CPL. | C.S. | STD. | STD. | - | - |



LEFT SIDE



FRONT VIEW

NOTES:

- A. Material: H.R. Carbon Steel.
- B. Design Pressure: Atmospheric.
- C. Design Temperature: Ambient.
- D. Built & Labeled per U.L. Spec. #142.
- E. Exterior: Gray primer included; see Sales Order for top coat.
- F. All Fittings to be protected for shipment.
- G. Customer to verify nozzle sizes, locations, and quantities.
- H. Saddles/skids may require shimming or grouting during installation.

APPROVAL FOR CONSTRUCTION
SCHEDULE A - MASTER TERMS &
CONDITION OF SALE*


APPROVED AS DRAWN.

APPROVED WITH NOTED CHANGES.
CONSTRUCTION WILL BE SCHEDULED
WHEN SIGNED DRAWING AND
CONFIRMED ORDER ARE RECEIVED.

SIGNATURE: _____

DATE: _____

*All pages of this Schedule A are incorporated by reference and are a part of the additional terms of the Master Terms & Conditions of Sale. www.newberrytanks.com/masterterms.pdf

| | | |
|---|--------|--|
| SALES ORDER: - | | WEIGHT (LBS): 14000 |
|  | | All units inches unless stated otherwise |
| Phone: 870-735-4473 | | |
| DESCRIPTION: 15000 GALLON 120" I.D. X 26'-0" O.A.L. SINGLE WALL SADDLE TANK | | |
| CUSTOMER: - | | P.O.#: - |
| DATE: 10/10/22 | SCALE: | DWG.#: NB15000SWB120250 |
| | | DRAWN BY: TC |
| | | SHEET 1 OF 1 |

This drawing may contain CONFIDENTIAL information and is intended only for the use of the specific individual(s) to which it is addressed.