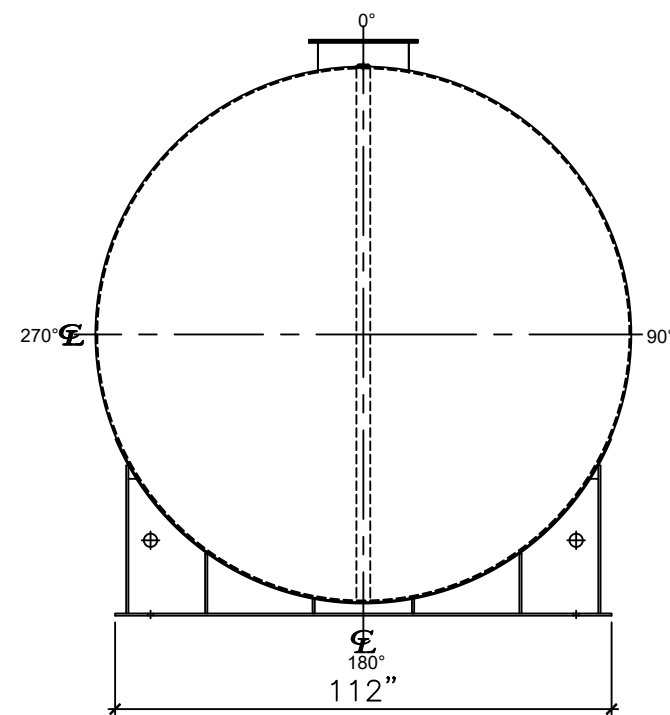
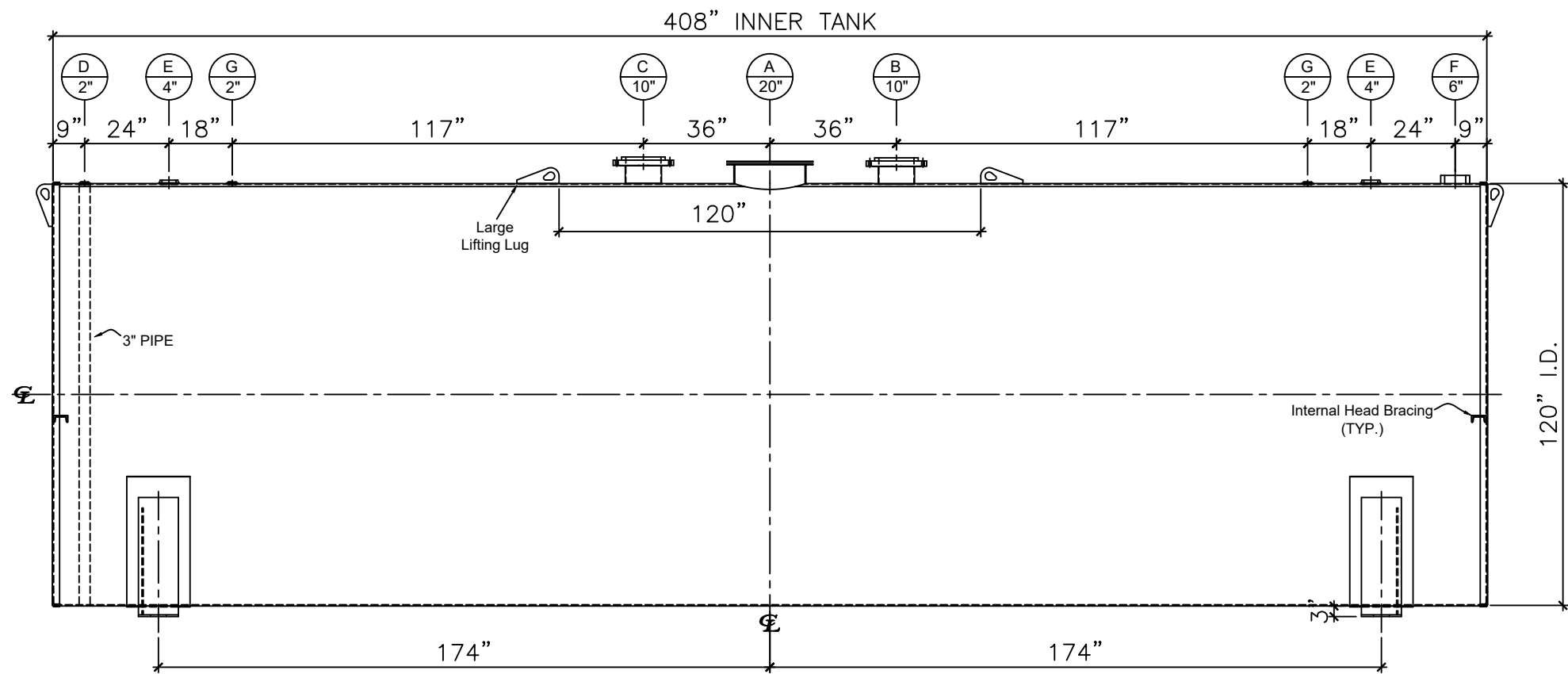


NOZZLE SCHEDULE						
ITEM	SIZE	RATING	TYPE	MATL	REMARKS	NOTES
A	20"	U.L.	M.W.	C.S.	SINGLE PUNCHED	TIGHT BOLTED
B	10"	U.L.	ADPT.	C.S.	PRIMARY	EMERGENCY VENT OPENING
C	10"	U.L.	ADPT.	C.S.	SECONDARY	EMERGENCY VENT OPENING
D	2"	N.P.T.	M.F.	C.S.	-	MONITORING PORT
E	4"	N.P.T.	W.F.	C.S.	-	-
F	6"	N.P.T.	H.CPL.	C.S.	-	-
G	2"	N.P.T.	W.F.	C.S.	-	-



LEFT SIDE



FRONT VIEW

NOTES:

- A. Material: H.R. Carbon Steel.
- B. Design Pressure: Atmospheric.
- C. Design Temperature: Ambient.
- D. Built & Labeled per U.L. Spec. #142.
- E. Exterior: Gray primer included; see Sales Order for top coat.
- F. All Fittings to be protected for shipment.
- G. Customer to verify nozzle sizes, locations, and quantities.
- H. Saddles/skids may require shimming or grouting during installation.

APPROVAL FOR CONSTRUCTION
SCHEDULE A - MASTER TERMS &
CONDITION OF SALE*


APPROVED AS DRAWN.

APPROVED WITH NOTED CHANGES.
CONSTRUCTION WILL BE SCHEDULED
WHEN SIGNED DRAWING AND
CONFIRMED ORDER ARE RECEIVED.

SIGNATURE: _____

DATE: _____

*All pages of this Schedule A are incorporated by
reference and are a part of the additional terms of
the Master Terms & Conditions of Sale.
www.newberrytanks.com/masterterms.pdf

SALES ORDER: -		WEIGHT (LBS): 28000
 Newberry Tanks New Thinking		All units inches unless stated otherwise
Phone: 870-735-4473		
DESCRIPTION: 20000 GALLON 120" I.D. X 34'-0" O.A.L. DOUBLE WALL SADDLE TANK		
CUSTOMER: -		P.O.#: -
DATE: 10/10/22	SCALE:	DWG.#: NB20000DWB120250
		DRAWN BY: TC SHEET 1 OF 1

This drawing may contain CONFIDENTIAL information and is intended only for the use of the specific individual(s) to which it is addressed.