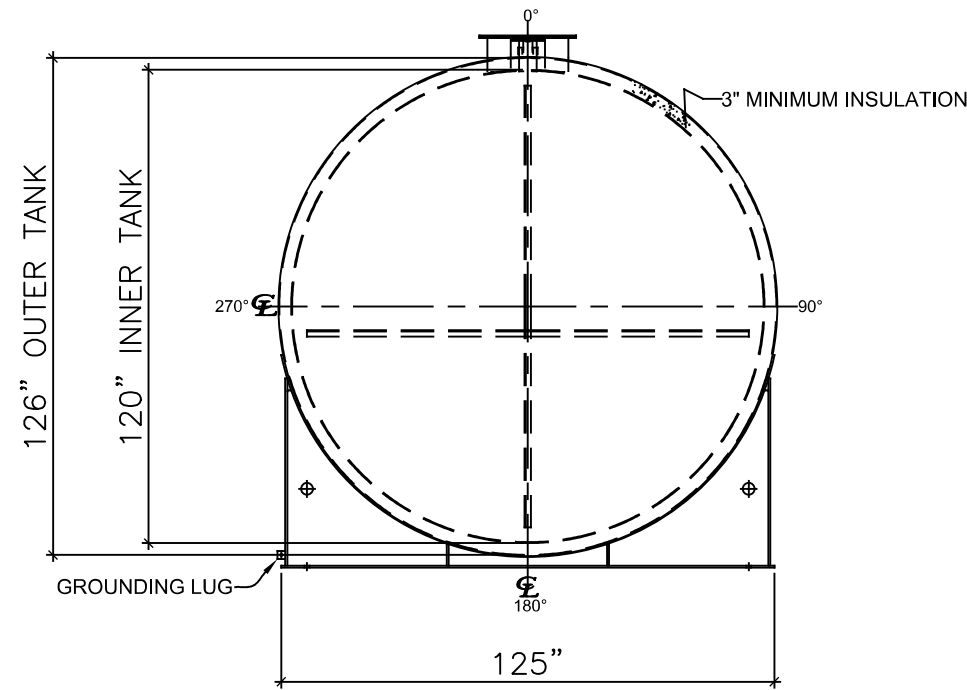
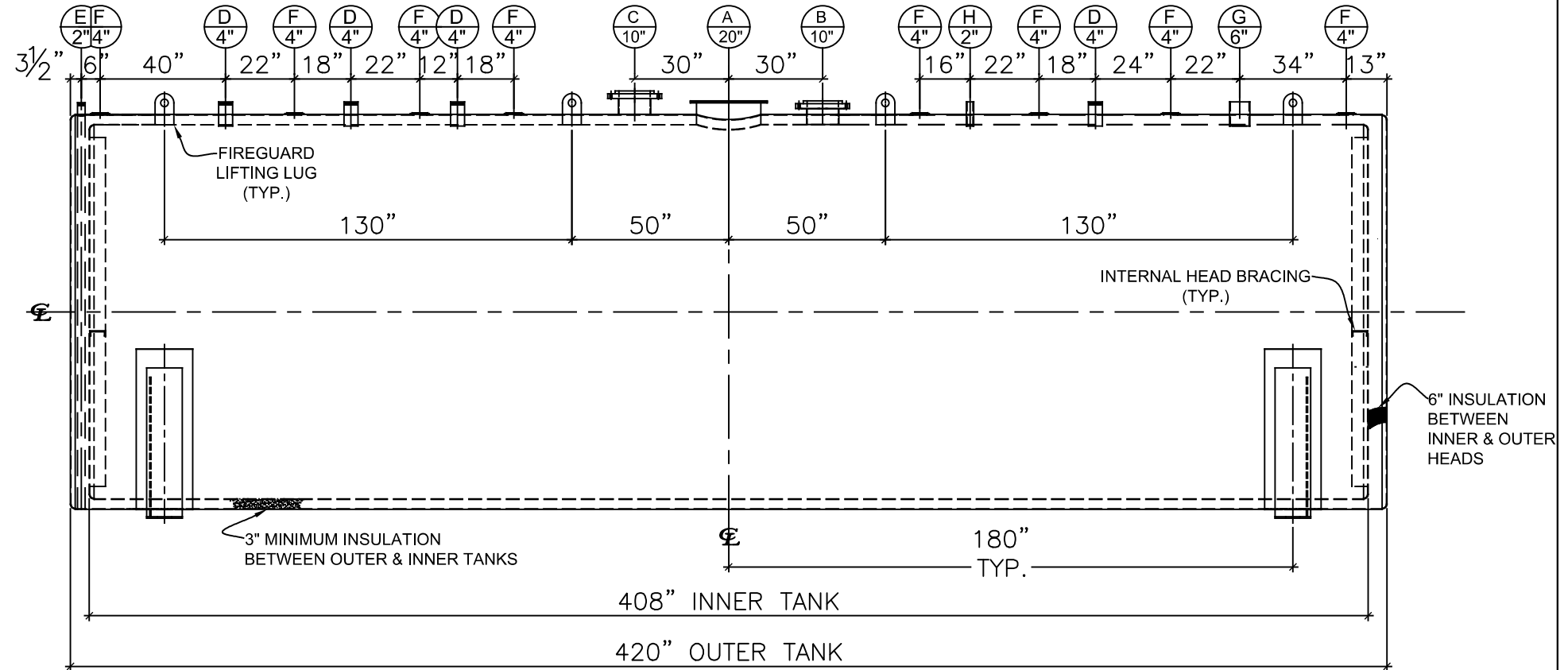


NOZZLE SCHEDULE

ITEM	SIZE	RATING	TYPE	MATL.	PROJ. IN	PROJ. OUT	REMARKS	NOTES
A	20"	U.L.	M.W.	C.S.	STD.	STD.	SINGLE PUNCHED	TIGHT BOLTED
B	10"	U.L.	ADAPT.	C.S.	STD.	STD.	PRIMARY	EMERGENCY VENT OPENING
C	10"	U.L.	ADAPT.	C.S.	STD.	STD.	SECONDARY	EMERGENCY VENT OPENING
D	4"	N.P.T.	CPL.	C.S.	STD.	STD.	-	-
E	2"	N.P.T.	PIPE	C.S.	STD.	STD.	-	MONITORING PORT
F	4"	N.P.T.	W.F.	C.S.	STD.	STD.	-	INTERSTICE FILL
G	6"	N.P.T.	CPL.	C.S.	STD.	STD.	-	-
H	2"	N.P.T.	CPL.	C.S.	STD.	STD.	-	-



LEFT SIDE



FRONT VIEW

NOTES:

- A. Material: H.R. Carbon Steel.
- B. Design Pressure: Atmospheric.
- C. Design Temperature: Ambient.
- D. Built & labeled per U.L. #142, #2085 & STI Fireguard Specifications.
- E. Interstice to be filled w/ 3" min. thermal insulation per Fireguard specs.
- F. Exterior: Blast & apply one shop coat WHITE enamel.
- G. All fittings to be labeled and protected for shipment.
- H. Customer to verify nozzle sizes, locations and quantities.
- I. Saddles/skids may require shimming or grouting during installation.

APPROVAL FOR CONSTRUCTION SCHEDULE A - MASTER TERMS & CONDITION OF SALE*		SALES ORDER:		WEIGHT (LBS): 45900	
<input type="checkbox"/> APPROVED AS DRAWN. <input type="checkbox"/> APPROVED WITH NOTED CHANGES. CONSTRUCTION WILL BE SCHEDULED WHEN SIGNED DRAWING AND CONFIRMED ORDER ARE RECEIVED. SIGNATURE: _____ DATE: _____				All units inches unless stated otherwise	
		Phone: 870-735-4473			
DESCRIPTION:					
20000 Gallon 120" I.D. x 34'-0" O.A.L. Fireguard Saddle Tank					
CUSTOMER:				P.O.#	
DATE: 3/8/2023	SCALE:	DWG.# NB20000FGD120250	DRAWN BY: AJC		
				SHEET 1 OF 1	

This drawing may contain CONFIDENTIAL information and is intended only for the use of the specific individual(s) to which it is addressed