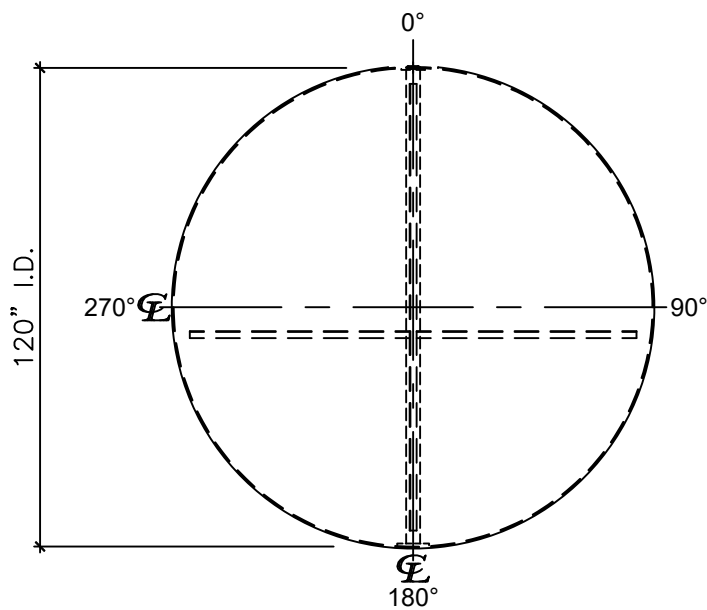
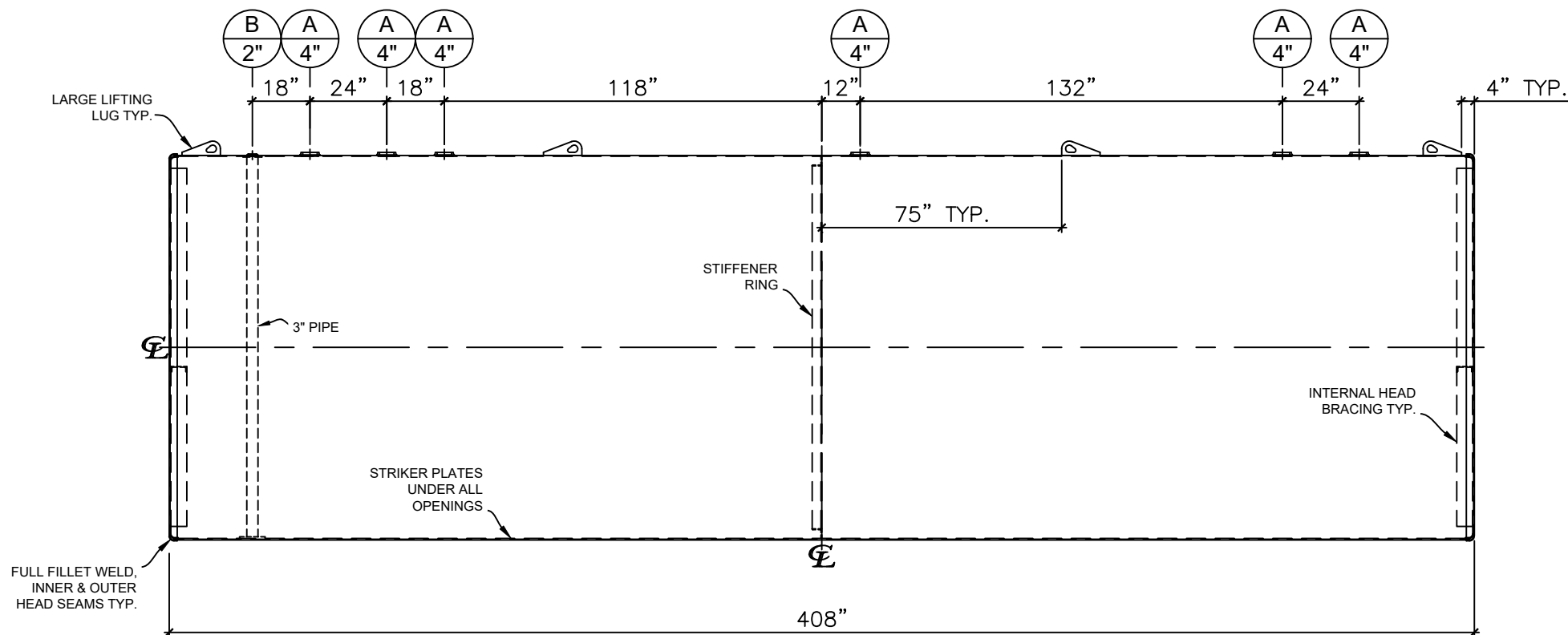


NOZZLE SCHEDULE

ITEM	SIZE	RATING	TYPE	MATL.	PROJ. IN	PROJ. OUT	REMARKS	NOTES
A	4"	NPT	W.F.	C.S.	STD.	STD.	-	-
B	2"	NPT	M.F.	C.S.	STD.	STD.	-	MONITORING PORT



LEFT SIDE



FRONT VIEW

NOTES:

- A. Material: H.R. Carbon Steel.
- B. Design Pressure: Atmospheric.
- C. Design Temperature: Ambient.
- D. Built & Labeled per UL 58 & 1746 Part 3.
- E. Exterior: MIN.100 mils FBG jacketed dual-wall Permatank®
- F. Seal welded striker plates under ALL openings.
- G. All Fittings to be protected for shipment.
- H. Customer to verify Nozzle sizes, locations, and quantities.

APPROVAL FOR CONSTRUCTION
SCHEDULE A - MASTER TERMS &
CONDITION OF SALE*


APPROVED AS DRAWN.

APPROVED WITH NOTED CHANGES,
CONSTRUCTION WILL BE SCHEDULED
WHEN SIGNED DRAWING AND
CONFIRMED ORDER ARE RECEIVED.

SIGNATURE: _____

DATE: _____

*All pages of this Schedule A are incorporated by
reference and are a part of the additional terms of
the Master Terms & Conditions of Sale.
www.newberrytanks.com/masterterms.pdf

SALES ORDER:			WEIGHT (LBS): 17,400
 Newberry Tanks New Thinking Phone: 870-735-4473 Fax: 870-735-3982			All units inches unless stated otherwise
DESCRIPTION: 20,000 GALLON 120" I.D. x 34'-0" O.A.L. DOUBLE WALL PERMATANK			
CUSTOMER: _____			P.O.# _____
DATE: 05/06/26	REV: 001	DWG.# NB20000PRM120	DRAWN BY: WR SHEET 1 OF 1